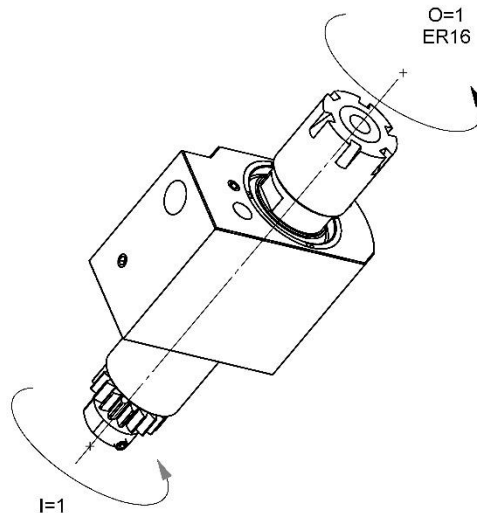


0200-SC016-A000H0-1S04

Machine: Star Micronics

Type: SR20J

Emplacement, N°: T2100 / T2200 / T2300 / T2400

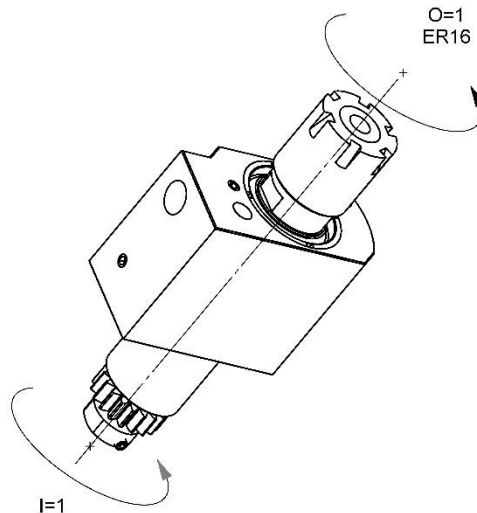
Travail sur: Broche de reprise

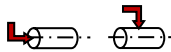
Type de travail:  n_{max} : 8000 rpm i (n_i / n_o): 1 / 1

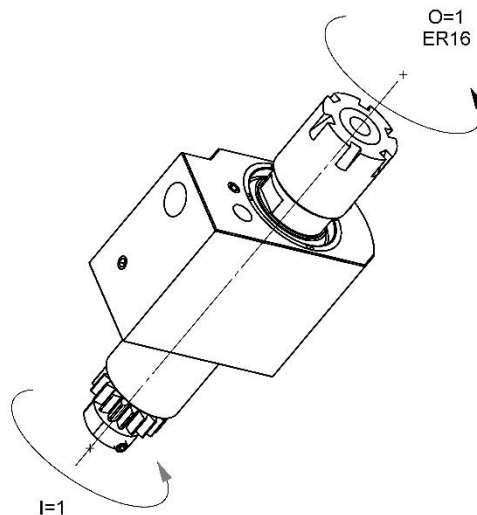
Attachement: ER16

Refroidissement interne Pression maximale: 150 [bar]

Infos: Porte-outils axial ER16 avec arrosage interne HP

0200-SC016-A000H0-1S04

Machine: Star Micronics
Type: SR20J
Location, N°: T2100 / T2200 / T2300 / T2400
Work on: Back spindle
Type of work: 
 n_{max} : 8000 rpm
 i (n_i / n_o): 1 / 1
Attachement: ER16
Internal coolant Maximum pressure: 150 [bar]
Infos: Spindle toolholder ER16 with internal coolant HP

0200-SC016-A000H0-1S04

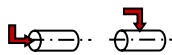
Machine: Star Micronics

Typ: SR20J

Position, N°: T2100 / T2200 / T2300 / T2400

Arbeit über: Abgreifspindel

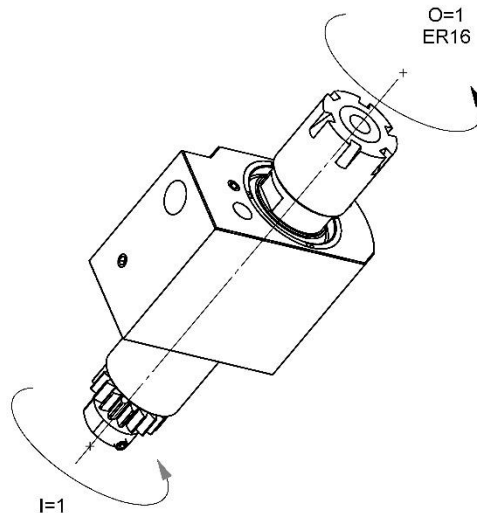
Arbeitstyp:

 n_{max} : 8000 rpm i (n_i / n_o): 1 / 1

Befestigung: ER16

Inner Kühlmittel Maximaler Druck: 150 [bar]

Infos: Spindeln Werkzeughalter ER16 mit inner Kühlmittel Hochdruck

0200-SC016-A000H0-1S04

Macchina: Star Micronics

Tipo: SR20J

Posizione, N°: T2100 / T2200 / T2300 / T2400

Lavoro al: Contromandrino

Tipo di lavoro:  n_{max} : 8000 rpm i (n_i / n_o): 1 / 1

Ataccamento: ER16

Refrigerante interno Pressione massima: 150 [bar]

Informazioni: Porta-attrezzi assiale ER16 con Refrigerante interno alta pressione