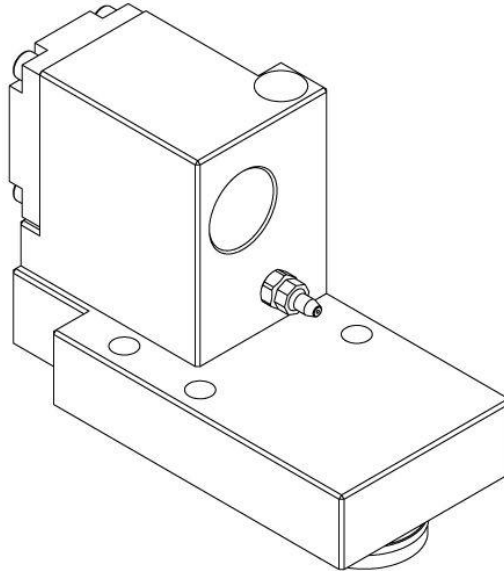
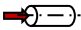
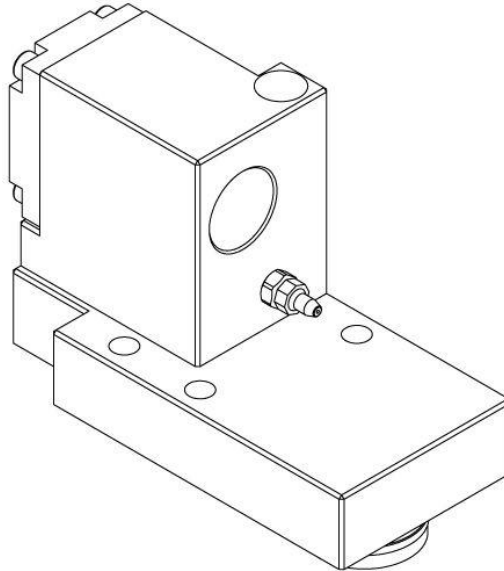
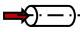


**CDF101-HP**

Machine: CITIZEN Cincom  
Type: M32  
Emplacement, N°: Tourelle  
Travail sur: Broche principale / Broche de reprise  
Type de travail:   
n<sub>max</sub>: -  
i (n<sub>i</sub> / n<sub>o</sub>): -  
Attachement: Ø 25.4 H7  
Refroidissement : Interne + Externe  
Pression maximale: 150 [bar]  
Infos:

**CDF101-HP**

Machine: CITIZEN Cincom  
Type: M32  
Location, N°: Turret  
Work on: Main spindle / Back spindle

Type of work: 

$n_{max}$ : -

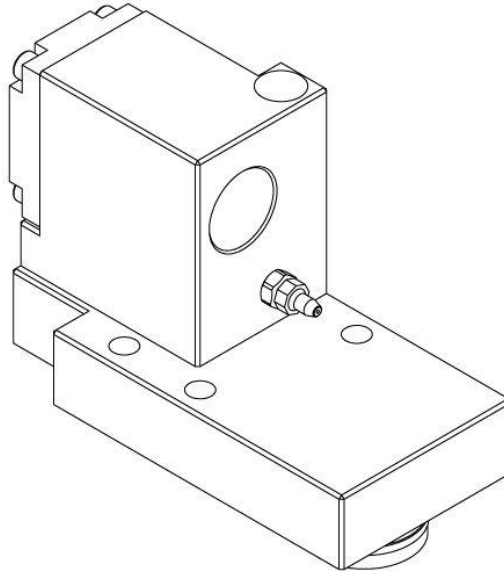
$i (n_i / n_o)$ : -

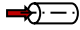
Attachement:  $\varnothing 25.4$  H7

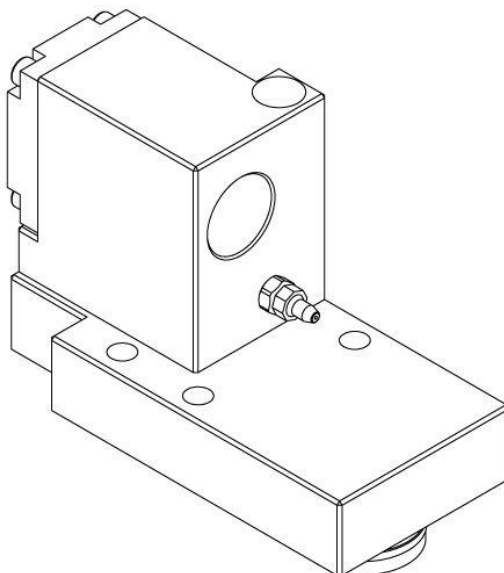
Coolant: Internal + External

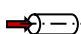
Maximum pressure: 150 [bar]

Infos:

**CDF101-HP**

Maschine: CITIZEN Cincom  
Typ: M32  
Position, N°: Revolver  
Arbeit über: Hauptspindel / Abgreifspindel  
Arbeitstyp:   
n<sub>max</sub>: -  
i (n<sub>i</sub> / n<sub>o</sub>): -  
Befestigung: Ø25.4 H7  
Kühlmittel: Inner + Ausser  
Maximaler Druck: 150 [bar]  
Infos:

**CDF101-HP**

Macchina: CITIZEN Cincom  
Tipo: M32  
Posizione, N°: Toretta  
Lavoro al: Mandrino principale / Contromandrino  
Tipo di lavoro:   
n<sub>max</sub>: -  
i (n<sub>i</sub> / n<sub>0</sub>): -  
Atacco: Ø25.4 H7  
Refrigerante: Interno +Esterno  
Pressione massima: 150 [bar]  
Informazioni: