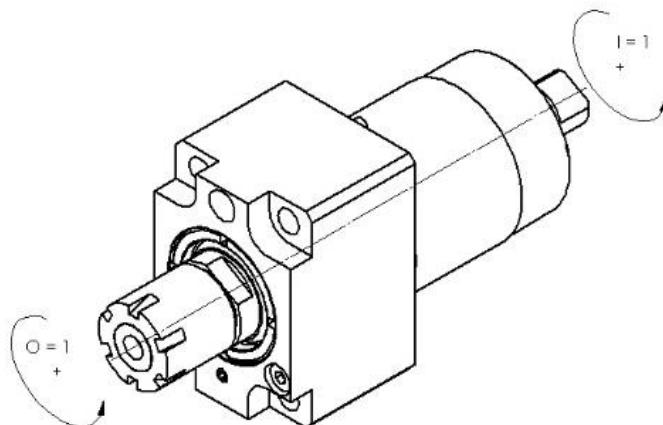


BO26-BSC-110-HP

Machine: Tsugami

Type: BO385E, BO385LE

Emplacement, N°: T11

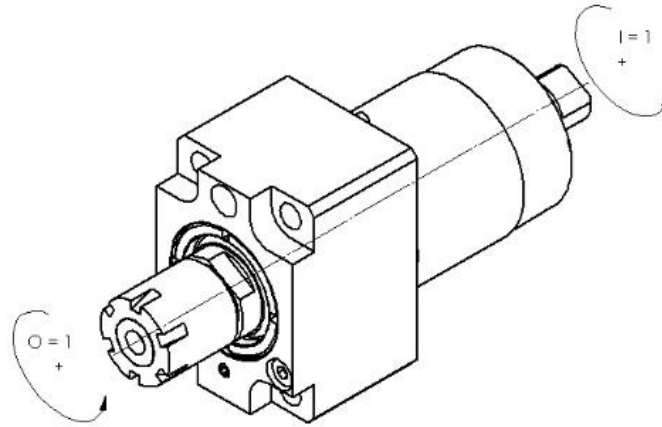
Travail sur: Broche de reprise

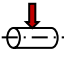
Type de travail: n_{max}: 5000i (n_i / n_o): 1 / 1

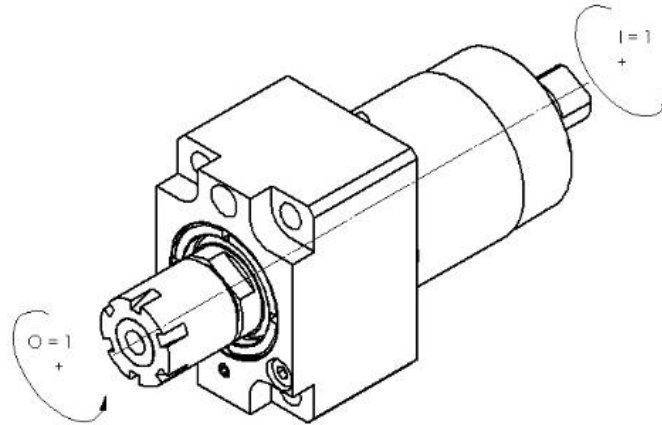
Attachement: ER16

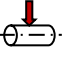
Refroidissement interne Pression maximale: 137 [bar]

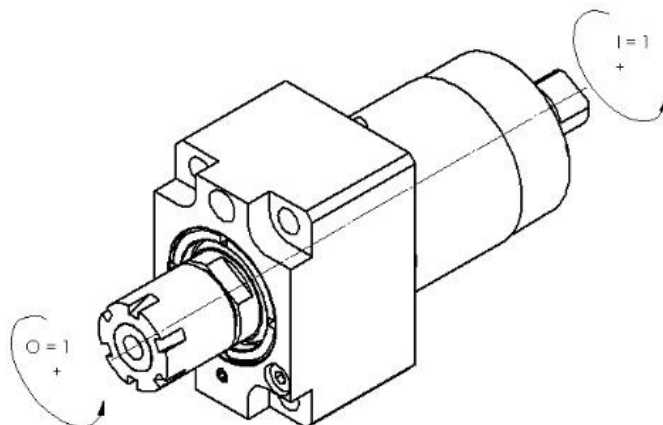
Infos:

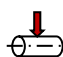
BO26-BSC-110-HP

Machine: Tsugami
Type: BO385E, BO385LE
Location, N°: T11
Work on: Back spindle
Type of work: 
n_{max}: 5000
i (n_i / n_o): 1 / 1
Attachement: ER16
Internal coolant Maximum pressure: 137 [bar]
Infos:

BO26-BSC-110-HP

Maschine: Tsugami
Typ: BO385E, BO385LE
Position, N°: T11
Arbeit über: Abgreifspindel
Arbeitstyp: 
 n_{max} : 5000
 $i (n_i / n_o)$: 1 / 1
Befestigung: ER16
Inner Kühlmittel Maximaler Druck: 137 [bar]
Infos:

BO26-BSC-110-HP

Macchina: Tsugami
Tipo: BO385E, BO385LE
Posizione, N°: T11
Lavoro al: Contromandrino
Tipo di lavoro: 
 n_{max} : 5000
 $i (n_i / n_o)$: 1 / 1
Atacco: ER16
Refrigerante interno Pressione massima: 137 [bar]

Informazioni: