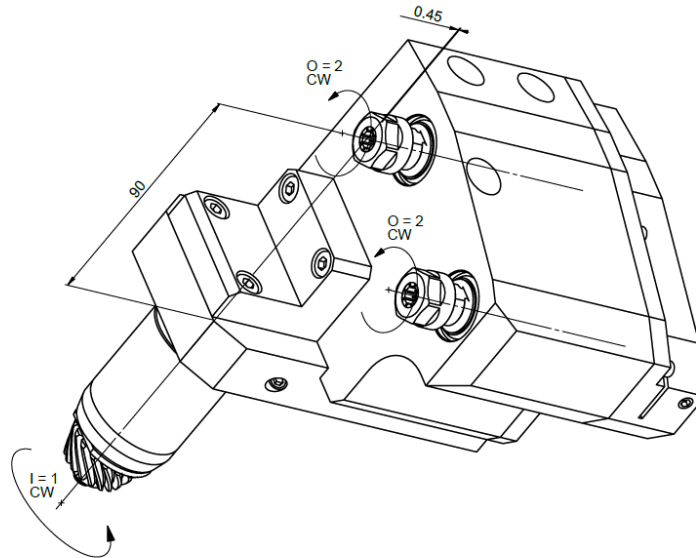
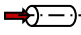
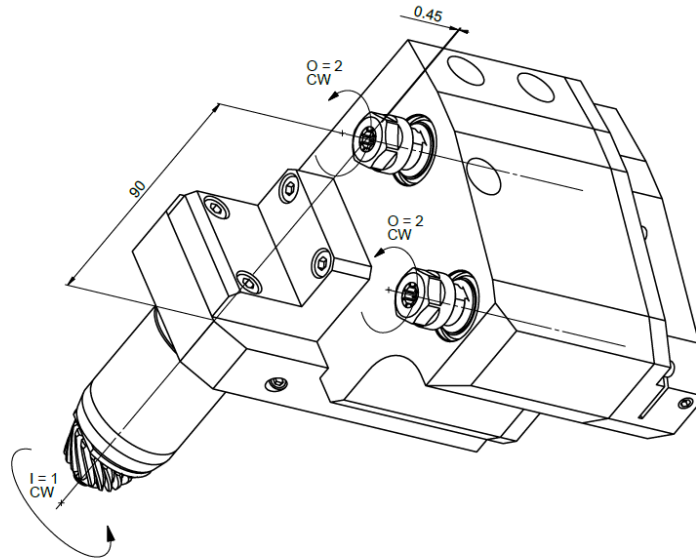
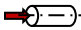
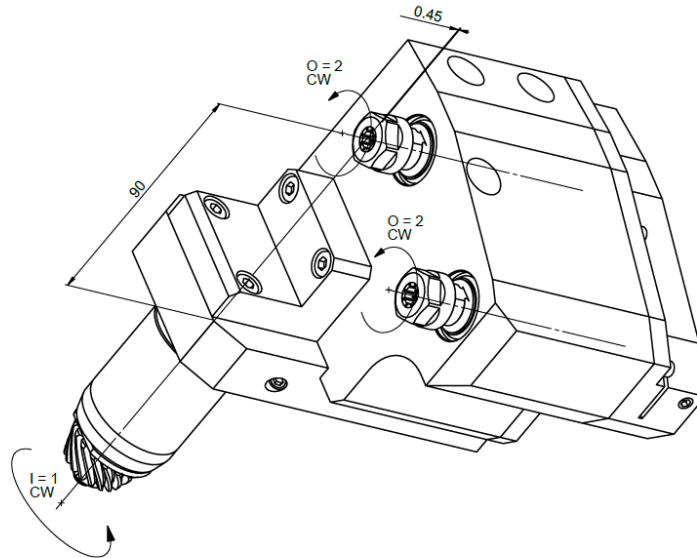


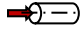
KSE2507-KAI-2x

Machine: CITIZEN Cincom
Type: M432
Emplacement, N°: Tourelle
Travail sur: Broche principale / Broche de reprise
Type de travail: 
 n_{max} : 6'000 [rpm]
 $i (n_i / n_o)$: 1/2
Attachement: 2xER11
Refroidissement interne
Infos:

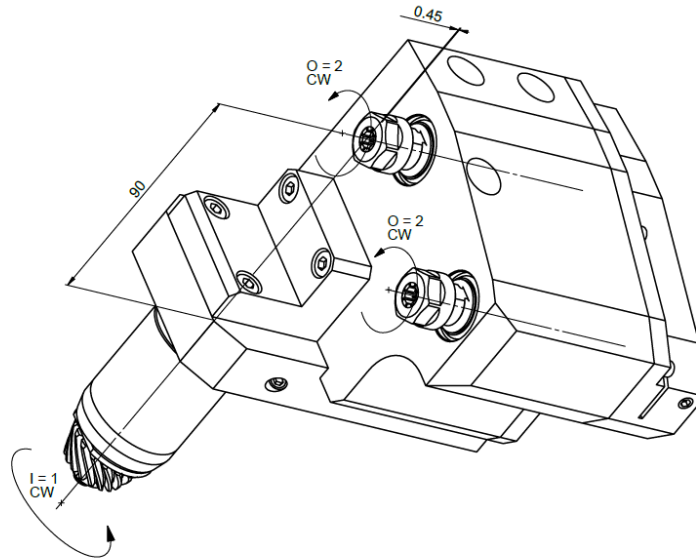
KSE2507-KAI-2x


Machine: CITIZEN Cincom
Type: M432
Location, N°: Turret
Work on: Main spindle / Back spindle
Type of work: 
 n_{max} : 6'000 [rpm]
 i (n_i / n_o): 1/2
Attachement: 2xER11
Internal coolant
Infos:

KSE2507-KAI-2x

Maschine: CITIZEN Cincom
Typ: M432
Position, N°: Revolver
Arbeit über: Hauptspindel / Abgreifspindel
Arbeitstyp: 
 n_{\max} : 6'000 [rpm]
 i (n_i / n_o): 1/2
Befestigung: 2xER11
Inner Kühlmittel
Infos:

KSE2507-KAI-2x



Macchina: CITIZEN Cincom
 Tipo: M432
 Posizione, N°: Toretta
 Lavoro al: Mandrino principale / Contromandrino
 Tipo di lavoro: 
 n_{max} : 6'000 [rpm]
 i (n_i / n_o): 1/2
 Ataccamento: 2xER11
 Refrigerante interno
 Informazioni: