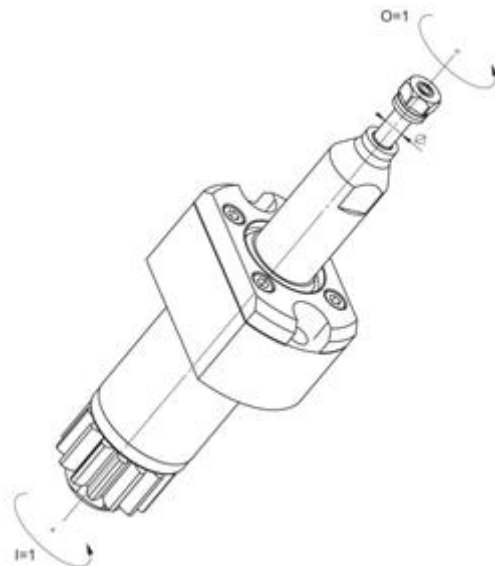


MSH50735

Machine: CITIZEN Cincom

Type: L12 – L20 – L20E – L20X – L220 – A220 – A32

Emplacement, N°: comme pour MSC-507 (queue Ø25mm)

Travail sur: Broche principale

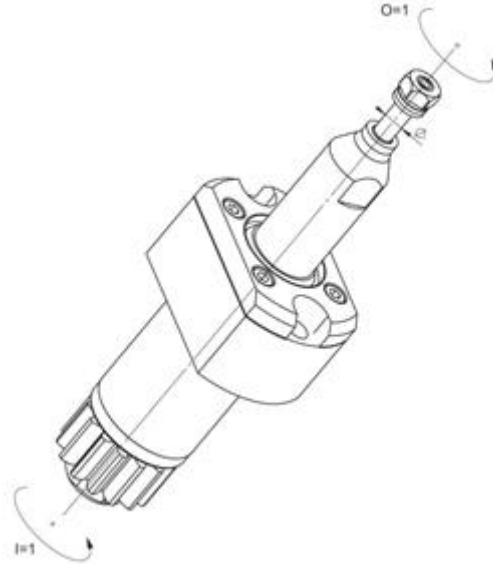
Type de travail:  n_{max} : 10'000 [rpm] $i (n_i / n_o)$: 1 / 1

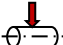
Attachement: Arbre Ø3.5

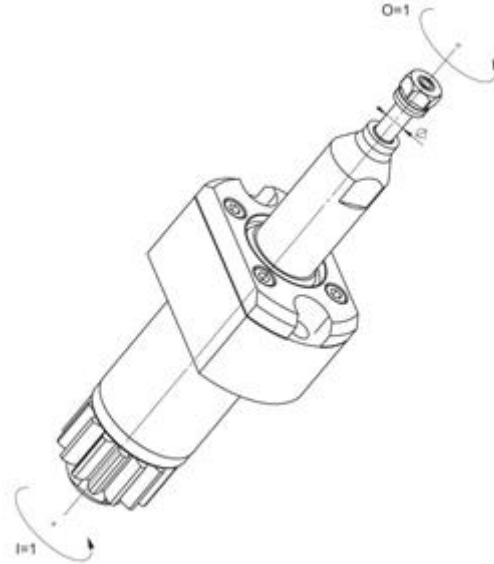
Sans refroidissement

Infos:

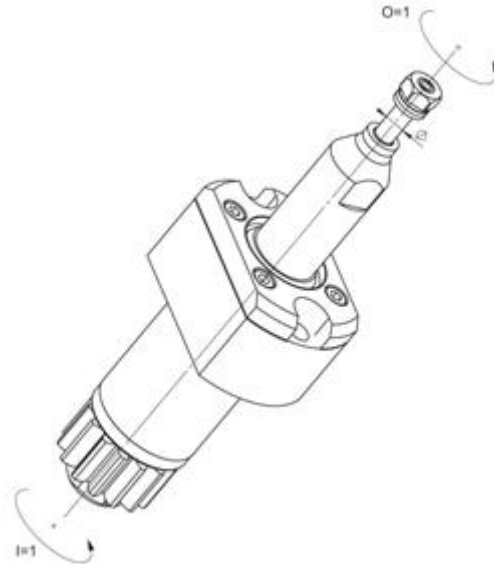
Pour fraises de taillage Ø3.5mm

MSH50735

Machine:	CITIZEN Cincom
Type:	L12 – L20 – L20E – L20X – L220 – A220 – A32
Location, N°:	same as MSC-507 (shank Ø25mm)
Work on:	Main spindle
Type of work:	
n_{max} :	10'000 [rpm]
$i (n_i / n_o)$:	1 / 1
Attachement:	Shaft Ø3.5
Without coolant	
Infos:	
For hobbing cutter Ø3.5mm	

MSH50735

Maschine:	CITIZEN Cincom
Typ:	L12 – L20 – L20E – L20X – L220 – A220 – A32
Position, N°:	wie MSC-507 (Schaft Ø25mm)
Arbeit über:	Hauptspindel
Arbeitstyp:	
n_{max} :	10'000 [rpm]
$i (n_i / n_o)$:	1 / 1
Befestigung:	Achse Ø3.5
Ohne Kühlmittel	
Infos:	
Für Abwälzfräser Ø3.5mm	

MSH50735

Macchina:	CITIZEN Cincom
Tipo:	L12 – L20 – L20E – L20X – L220 – A220 – A32
Posizione, N°:	come MSC-507 (codolo Ø25mm)
Lavoro al:	Mandrino principale
Tipo di lavoro:	
n_{max} :	10'000 [rpm]
$i (n_i / n_o)$:	1 / 1
Ataccamento:	Codolo Ø3.5
Senza refrigerante	
Informazioni:	
Per utensile Ø3.5mm	