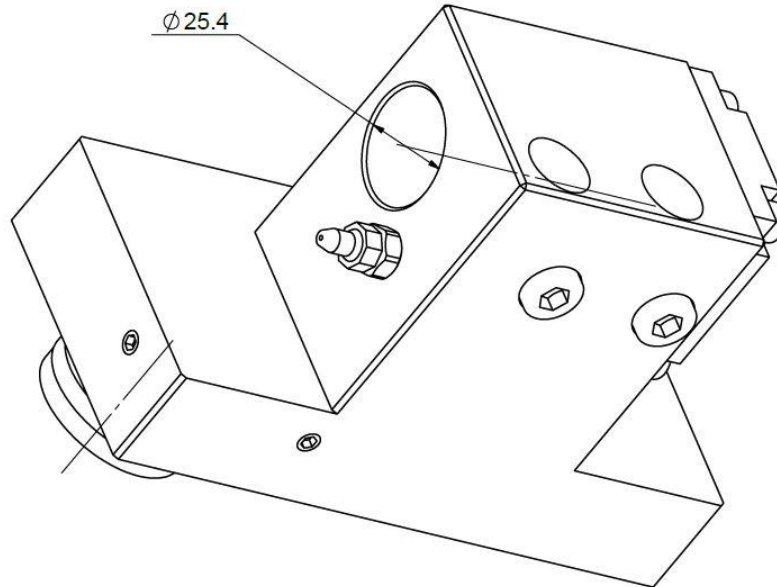
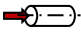
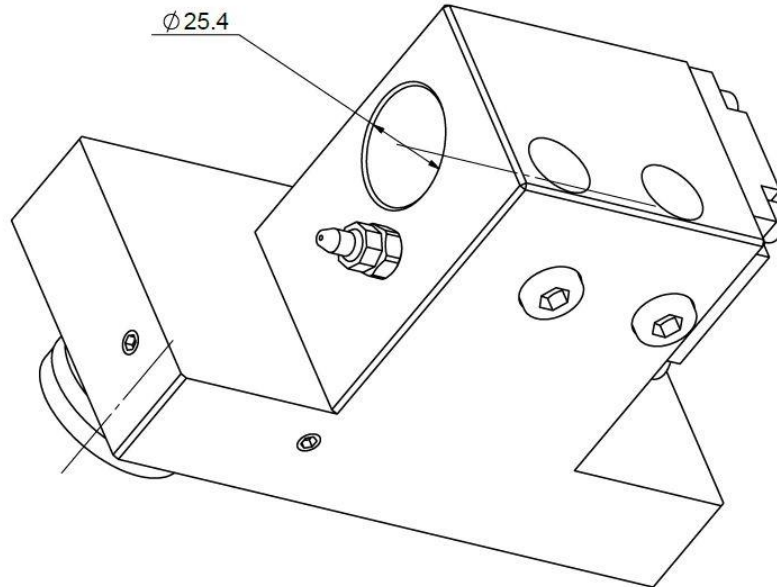
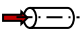


CDF201-HP

Machine: CITIZEN Cincom
Type: M32
Emplacement, N°: Tourelle
Travail sur: Broche principale / Broche de reprise
Type de travail: 
n_{max}: -
i (n_i / n_o): -
Attachement: Ø 25.4 H7
Refroidissement : Interne + Externe
Pression maximale: 150 [bar]
Infos:

CDF201-HP

Machine: CITIZEN Cincom
Type: M32
Location, N°: Turret
Work on: Main spindle / Back spindle

Type of work: 

n_{max} : -

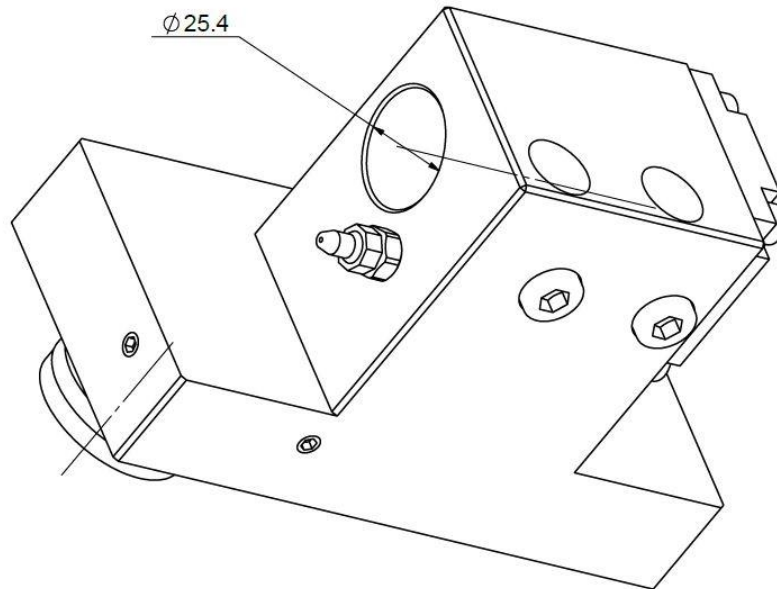
$i (n_i / n_o)$: -

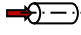
Attachement: $\varnothing 25.4$ H7

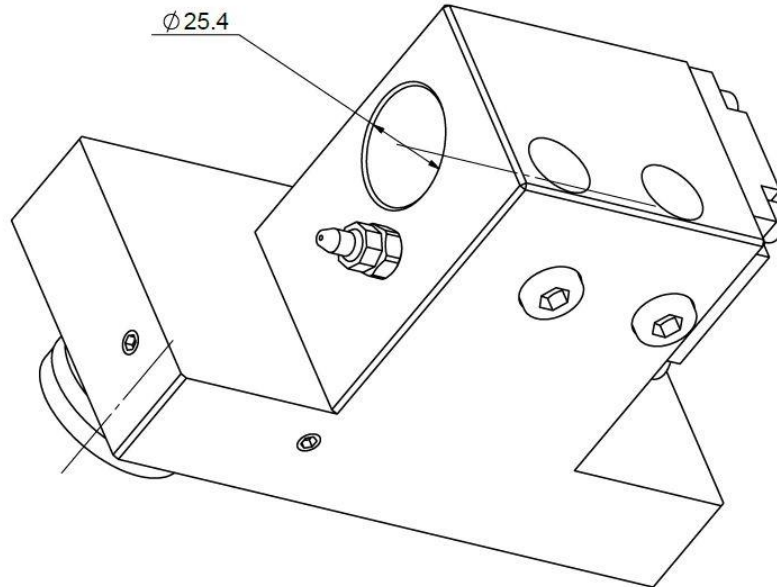
Coolant: Internal + External

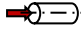
Maximum pressure: 150 [bar]

Infos:

CDF201-HP

Maschine: CITIZEN Cincom
Typ: M32
Position, N°: Revolver
Arbeit über: Hauptspindel / Abgreifspindel
Arbeitstyp: 
n_{max}: -
i (n_i / n_o): -
Befestigung: Ø25.4 H7
Kühlmittel: Inner + Ausser
Maximaler Druck: 150 [bar]
Infos:

CDF201-HP

Macchina: CITIZEN Cincom
Tipo: M32
Posizione, N°: Toretta
Lavoro al: Mandrino principale / Contromandrino
Tipo di lavoro: 
n_{max}: -
i (n_i / n_o): -
Ataccamento: Ø25.4 H7
Refrigerante: Interno +Esterno
Pressione massima: 150 [bar]
Informazioni: