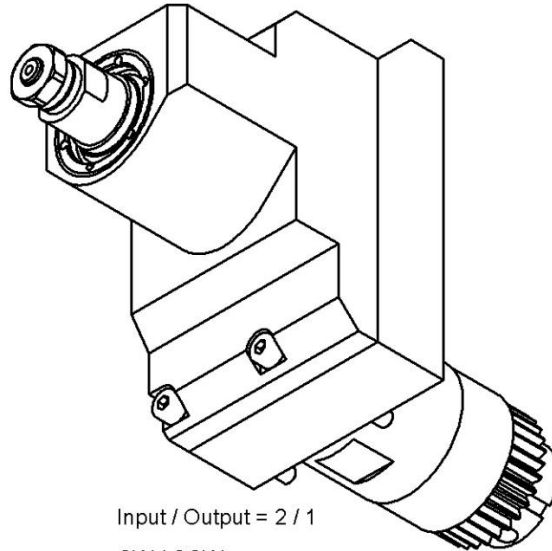


SR20R-GSS-006

Machine: Star

Type: SR20R

Emplacement, N°: Coulisse linéaire, T3500

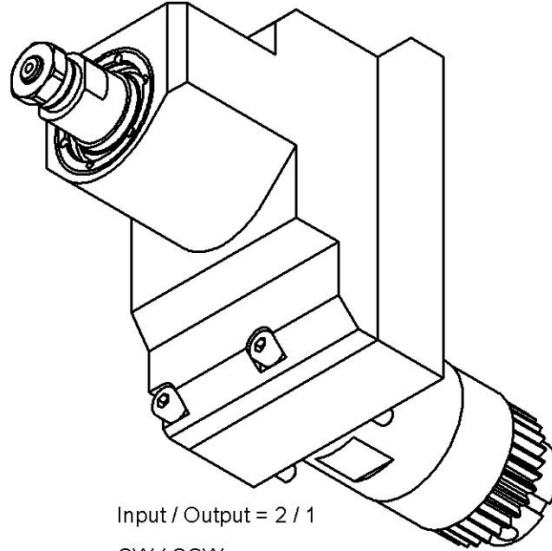
Travail sur: Broche principale

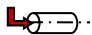
Type de travail:  n_{max} : 4'000 [rpm] $i (n_i / n_o)$: 2 / 1

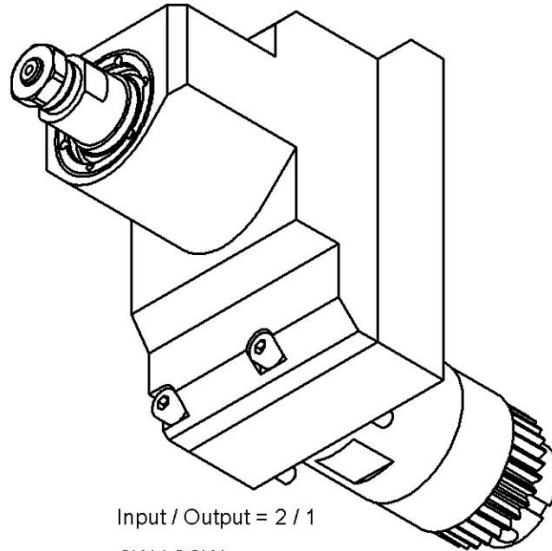
Attachement: Arbre Ø6 [mm]

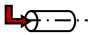
Sans refroidissement

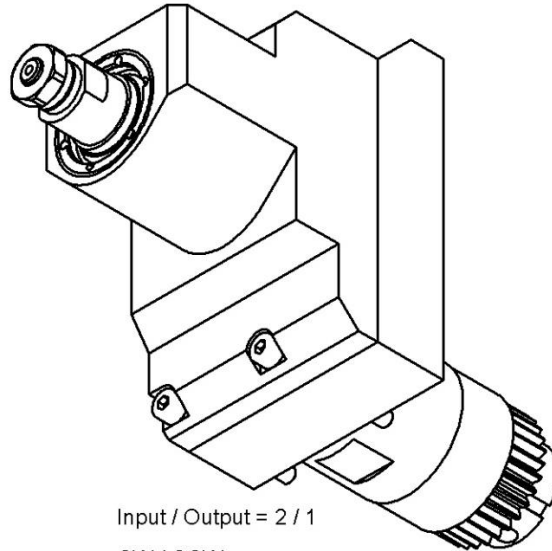
Infos:

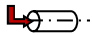
SR20R-GSS-006

Machine: Star
Type: SR20R
Location, N°: Gangtool, T3500
Work on: Main spindle
Type of work: 
 n_{max} : 4'000 [rpm]
 $i (n_i / n_o)$: 2 / 1
Attachement: Shaft Ø6 [mm]
Without coolant
Infos:

SR20R-GSS-006

Maschine: Star
Typ: SR20R
Position, N°: Vertikalhalter, T3500
Arbeit über: Hauptspindel
Arbeitstyp: 
 n_{max} : 4'000 [rpm]
 $i (n_i / n_o)$: 2 / 1
Befestigung: Welle Ø6 [mm]
Ohne Kühlmittel
Infos:

SR20R-GSS-006

Macchina: Star
Tipo: SR20R
Posizione, N°: Slitta lineare, T3500
Lavoro al: Mandrino principale
Tipo di lavoro: 
 n_{max} : 4'000 [rpm]
 $i (n_i / n_o)$: 2 / 1
Ataccamento: Albero Ø6 [mm]
Senza refrigerante
Informazioni: