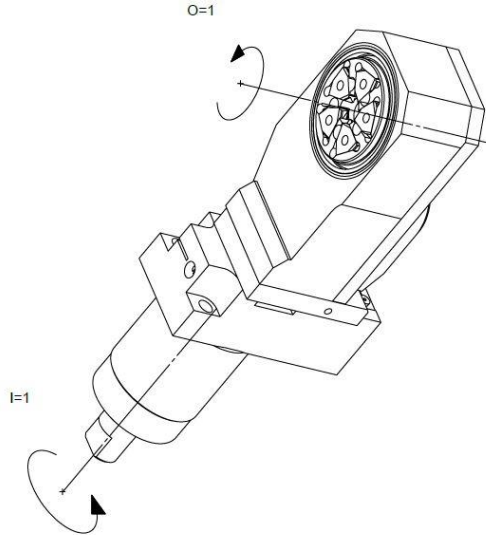


TSUGAMI1-GSW-220

Machine: TSUGAMI

Type: S206

Emplacement, N°: Coulisse linéaire

Travail sur: Broche principale

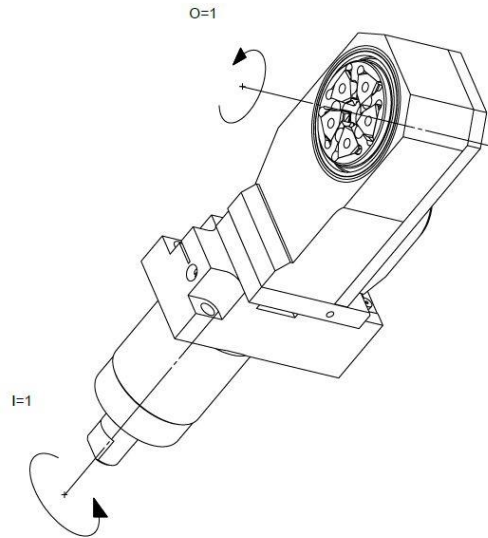
Type de travail: n_{max}: 8000 [rpm]i (n_i / n_o): 1 / 1

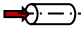
Attachement: Autre

Sans refroidissement

Infos:

Tête à tourbillonner Ø6 α:20° interchangeable (GSW-220) monté sur la queue TSUGAMI1-PCR.

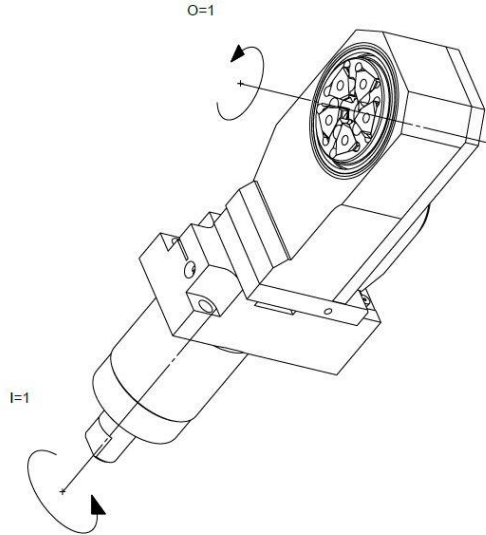
TSUGAMI1-GSW-220

Machine: TSUGAMI
Type: S206
Location, N°: Gangtool
Work on: Main spindle
Type of work: 
n_{max}: 8000 [rpm]
i (n_i / n_o): 1 / 1
Attachement: Other

Without coolant

Infos:

Whirling head Ø6 α:20° exchangeable (GSW-220) mounted on the shank TSUGAMI1-PCR.

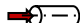
TSUGAMI1-GSW-220

Machine: TSUGAMI

Typ: S206

Position, N°: Vertikalhalter

Arbeit über: Hauptspindel

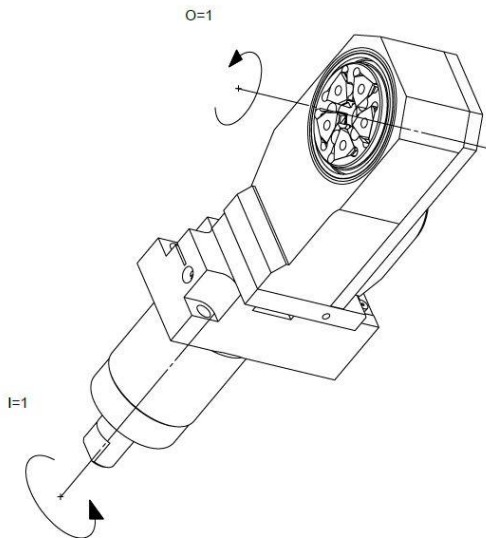
Arbeitstyp: n_{max}: 8000 [rpm]i (n_i / n_o): 1 / 1

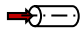
Befestigung: Andere

Ohne Kühlmittel

Infos:

Gewindewirbelkopf Ø6 α:20° austauschbar (GSW-220) der auf den Schaft TSUGAMI1-PCR gehoben ist.

TSUGAMI1-GSW-220

Macchina: TSUGAMI
Tipo: S206
Posizione, N°: Slitta lineare
Lavoro al: Mandrino principale
Tipo di lavoro: 
n_{max}: 8000 [rpm]
i (n_i / n_o): 1 / 1
Ataccamento: Altro

Senza refrigerante

Informazioni:

Testa a turbinare Ø6 α:20° intercambiabile (GSW-220) salita sulla coda TSUGAMI1-PCR.