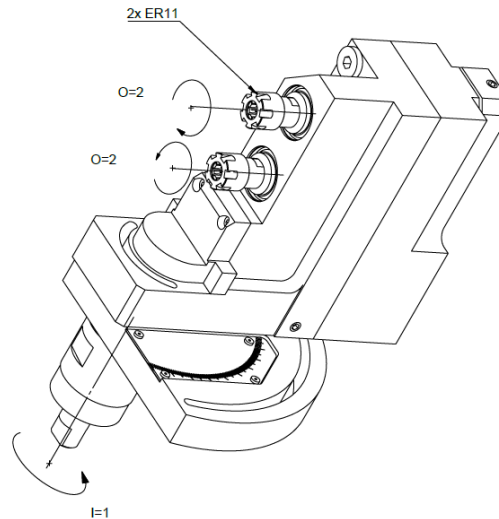


B07-GSA-207-IK-2x

Machine: Tsumami

Type: B073 - III, B074 - III, B0123 - III, B0124 - III, B0203 - III, B0204 - III,
B075 - III, B0125 - III, B0126 - III, B0205 - III, B0206 - III,

Emplacement, N°: Coulisse linéaire, T01

Travail sur: Broche principale

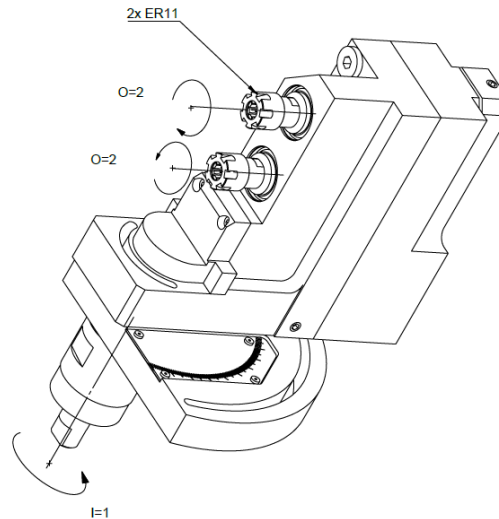
Type de travail:  n_{\max} : 16'000 [rpm] $i (n_i / n_o)$: 1 / 2

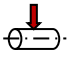
Attachement: ER 11

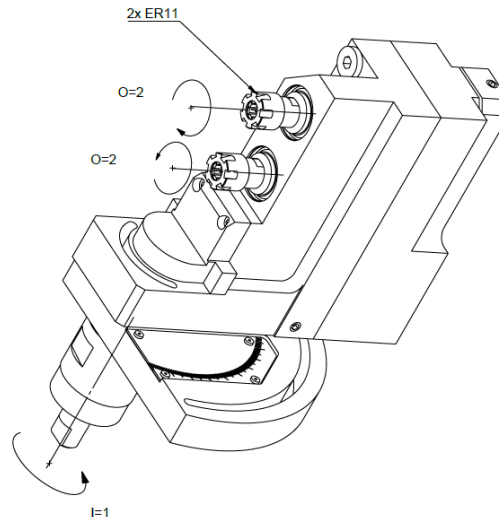
Arrosage interne

Infos:

- Inclinaison : 90°

B07-GSA-207-IK-2x

Machine:	Tsugami
Type:	B073 - III, B074 - III, B0123 - III, B0124 - III, B0203 - III, B0204 - III, B075 - III, B0125 - III, B0126 - III, B0205 - III, B0206 - III,
Location, N°:	Gangtool, T01
Work on:	Main spindle
Type of work:	
n_{max} :	16'000 [rpm]
$i (n_i / n_o)$:	1 / 2
Attachement:	ER 11
Internal coolant	
Infos:	
	- Inclination : 90°

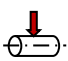
B07-GSA-207-IK-2x

Machine: Tsugami

Typ: B073 - III, B074 - III, B0123 - III, B0124 - III, B0203 - III, B0204 - III,
B075 - III, B0125 - III, B0126 - III, B0205 - III, B0206 - III,

Position, N°: Vertikalhalter, T01

Arbeit über: Hauptspindel

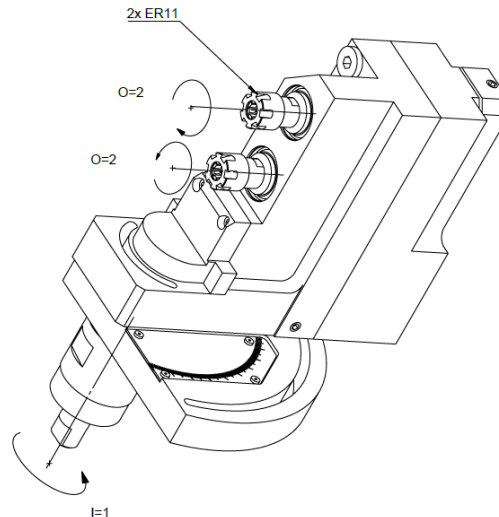
Arbeitstyp:  n_{\max} : 16'000 [rpm] $i (n_i / n_o)$: 1 / 2

Befestigung: ER 11

Interne Kühlmittel

Infos:

- Neigungswinkel: 90°

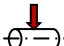
B07-GSA-207-IK-2x

Macchina: Tsugami

Tipo: B073 - III, B074 - III, B0123 - III, B0124 - III, B0203 - III, B0204 - III,
B075 - III, B0125 - III, B0126 - III, B0205 - III, B0206 - III,

Posizione, N°: Slitta lineare, T01

Lavoro al: Mandrino principale

Tipo di lavoro:  n_{max} : 16'000 [rpm] $i (n_i / n_o)$: 1 / 2

Ataccamento: ER 11

Refrigerante interno

Informazioni:

- Inclinazione: 90°