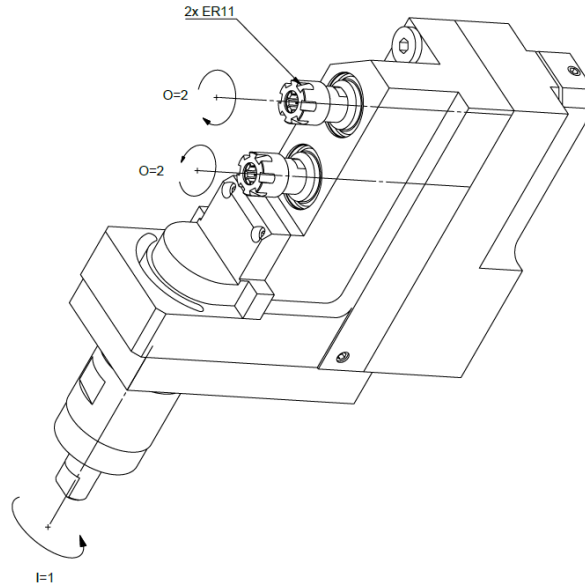


B07-RSE-207-IK-2x

Machine: Tsumami

Type: B073 - III, B074 - III, B0123 - III, B0124 - III, B0203 - III, B0204 - III,
B075 - III, B0125 - III, B0126 - III, B0205 - III, B0206 - III

Emplacement, N°: Coulisse linéaire, T01

Travail sur: Broche principale

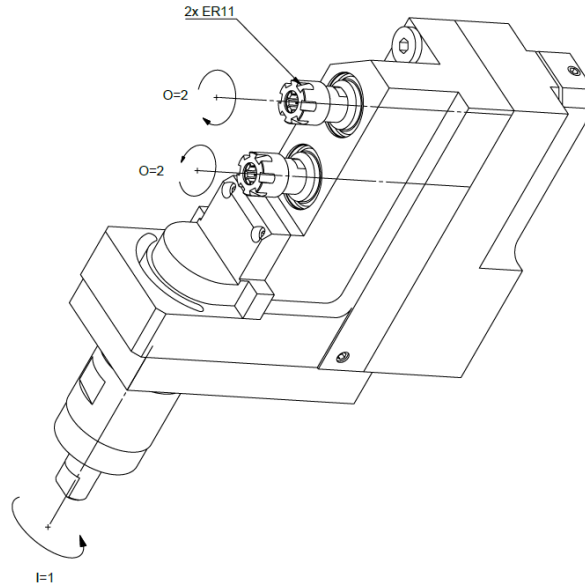
Type de travail:  n_{\max} : 16'000 [rpm] $i (n_i / n_o)$: 1 / 2

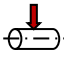
Attachement: ER 11

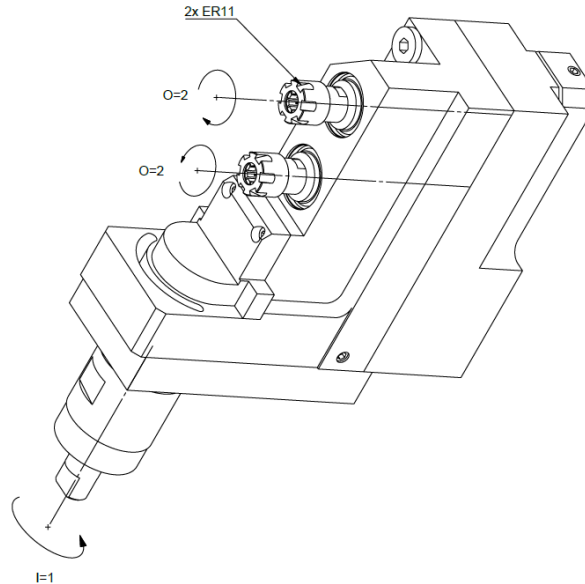
Arrosage interne

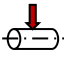
Infos:

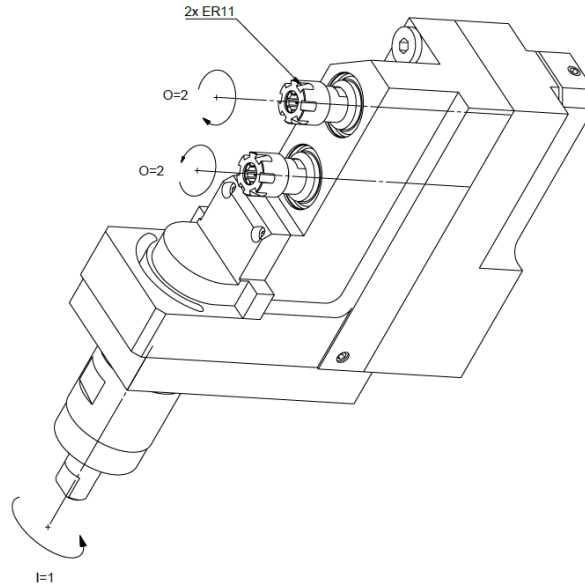
B07-RSE-207-IK-2x



Machine:	Tsugami
Type:	B073 - III, B074 – III, B0123 - III, B0124 – III, B0203 – III, B0204 – III, B075 – III, B0125 – III, B0126 – III, B0205 – III, B0206 – III
Location, N°:	Gangtool, T01
Work on:	Main spindle
Type of work:	
n_{max} :	16'000 [rpm]
$i (n_i / n_o)$:	1 / 2
Attachement:	ER 11
Internal coolant	
Infos:	

B07-RSE-207-IK-2x

Maschine:	Tsugami
Typ:	B073 - III, B074 - III, B0123 - III, B0124 - III, B0203 - III, B0204 - III, B075 - III, B0125 - III, B0126 - III, B0205 - III, B0206 - III
Position, N°:	Vertikalhalter, T01
Arbeit über:	Hauptspindel
Arbeitstyp:	
n_{max} :	16'000 [rpm]
$i (n_i / n_o)$:	1 / 2
Befestigung:	ER 11
Interne Kühlmittel	
Infos:	

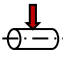
B07-RSE-207-IK-2x

Macchina: Tsumami

Tipo: B073 - III, B074 - III, B0123 - III, B0124 - III, B0203 - III, B0204 - III,
B075 - III, B0125 - III, B0126 - III, B0205 - III, B0206 - III

Posizione, N°: Slitta lineare, T01

Lavoro al: Mandrino principale

Tipo di lavoro: 

n_{max} : 16'000 [rpm]

$i (n_i / n_o)$: 1 / 2

Ataccamento: ER 11

Refrigerante interno

Informazioni: