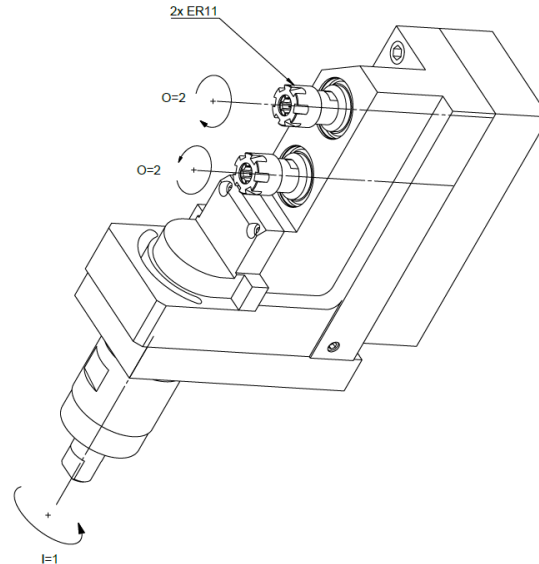


B07-RSE207

Machine: Tsugami

Type: B073 - III, B074 - III, B0123 - III, B0124 - III, B0203 - III, B0204 - III,
B075 - III, B0125 - III, B0126 - III, B0205 - III, B0206 - III

Emplacement, N°: Coulisse linéaire, T01

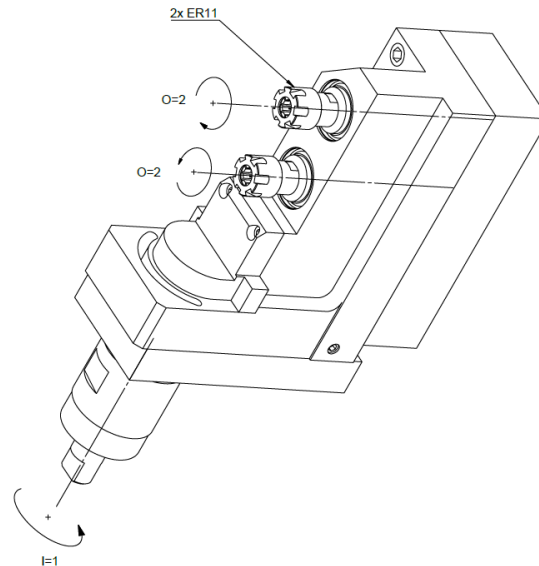
Travail sur: Broche principale

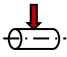
Type de travail:  n_{\max} : 16'000 [rpm] $i (n_i / n_o)$: 1 / 2

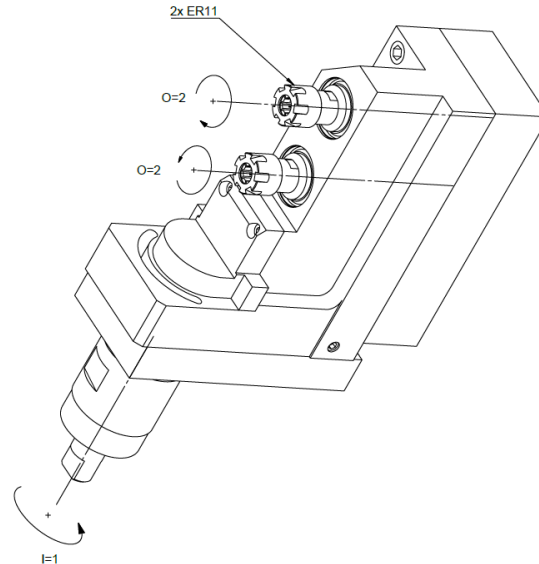
Attachement: ER 11

Sans refroidissement

Infos:

B07-RSE207

Machine:	Tsugami
Type:	B073 - III, B074 - III, B0123 - III, B0124 - III, B0203 - III, B0204 - III, B075 - III, B0125 - III, B0126 - III, B0205 - III, B0206 - III
Location, N°:	Gangtool, T01
Work on:	Main spindle
Type of work:	
n_{max} :	16'000 [rpm]
$i (n_i / n_o)$:	1 / 2
Attachement:	ER 11
Without coolant	
Infos:	

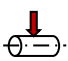
B07-RSE207

Machine: Tsugami

Typ: B073 - III, B074 - III, B0123 - III, B0124 - III, B0203 - III, B0204 - III,
B075 - III, B0125 - III, B0126 - III, B0205 - III, B0206 - III

Position, N°: Vertikalhalter, T01

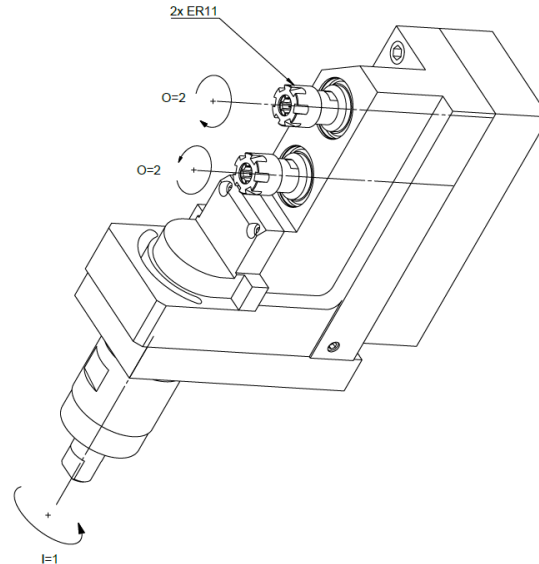
Arbeit über: Hauptspindel

Arbeitstyp:  n_{\max} : 16'000 [rpm] $i (n_i / n_o)$: 1 / 2

Befestigung: ER 11

Ohne Kühlmittel

Infos:

BO7-RSE207

Macchina: Tsugami

Tipo: B073 - III, B074 - III, B0123 - III, B0124 - III, B0203 - III, B0204 - III,
B075 - III, B0125 - III, B0126 - III, B0205 - III, B0206 - III

Posizione, N°: Slitta lineare, T01

Lavoro al: Mandrino principale

Tipo di lavoro:  n_{max} : 16'000 [rpm] $i (n_i / n_o)$: 1 / 2

Ataccamento: ER 11

Senza refrigerante

Informazioni: