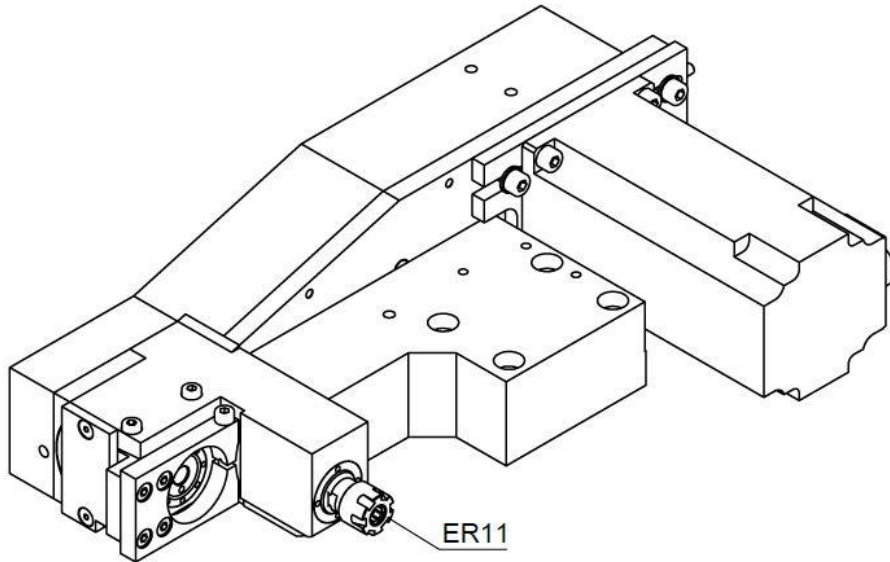
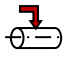
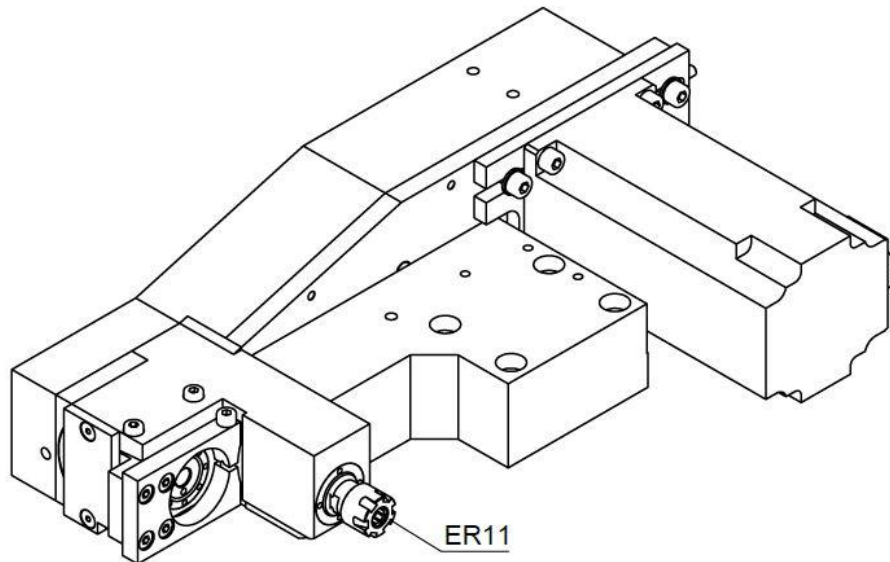
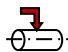
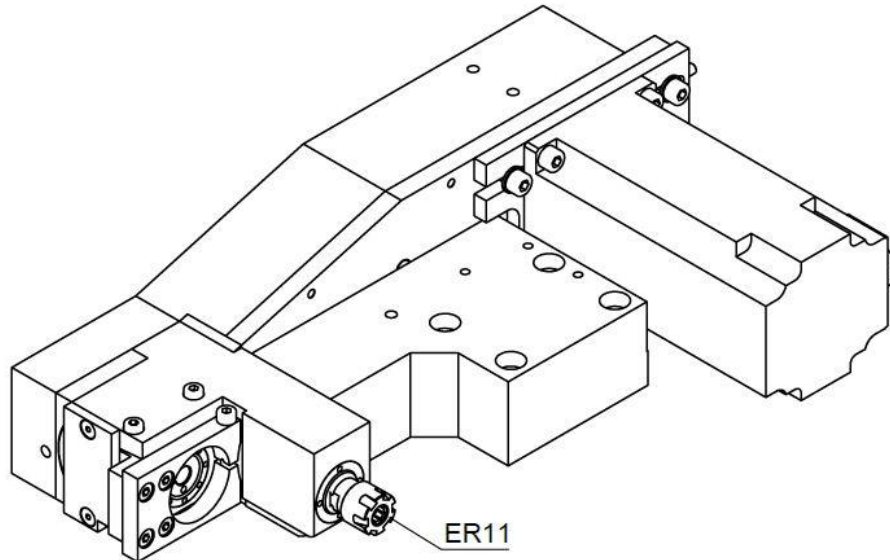


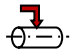
SR10J-GSC-E11AZ

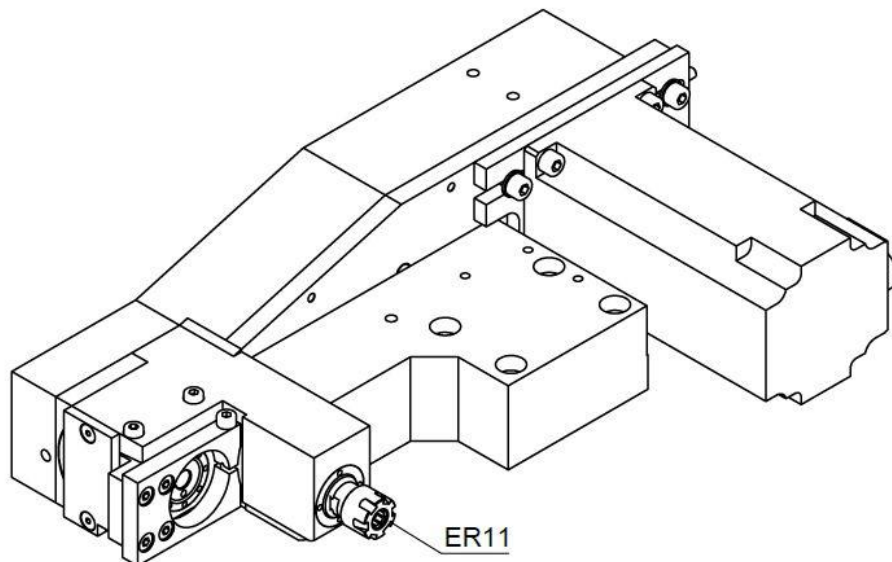
Machine: Star Micronics
Type: SR10J
Emplacement, N°: Bloc linéaire
Travail sur: Broche principale / Broche de reprise
Type de travail: 
n_{max}: 8'000 [rpm]
i (n_i / n_o): 1 / 1 et 1 / 1.66
Attachement: ER11 et Ø8
Refroidissement : -
Pression maximale: -
Infos:

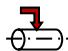
SR10J-GSC-E11AZ

Machine: Star Micronics
Type: SR10J
Location, N°: Gangtool
Work on: Main spindle / Back spindle
Type of work: 
n_{max}: 8'000 [rpm]
i (n_i / n_o): 1 / 1 and 1.66
Attachement: ER11 and Ø8
Coolant : -
Maximum pressure: -
Infos:

SR10J-GSC-E11AZ

Maschine: Star Micronics
Typ: SR10J
Position, N°: Vertikalhalter
Arbeit über: Hauptspindel / Abgreifspindel
Arbeitstyp: 
n_{max}: 8'000 [rpm]
i (n_i / n_o): 1 / 1 und 1/1.66
Befestigung: ER11 und Ø8
Kühlmitte:l -
Maximaler Drück: -
Infos:

SR10J-GSC-E11AZ

Macchina: Star Micronics
Tipo: SR10J
Posizione, N°: Slitta lineare
Lavoro al: Mandrino principale / Contromandrino
Tipo di lavoro: 
n_{max}: 8'000 [rpm]
i (n_i / n_o): 1 / 1 e 1/1.66
Ataccamento: ER11 e Ø8
Refrigerante: -
Pressione massima: -
Informazioni: