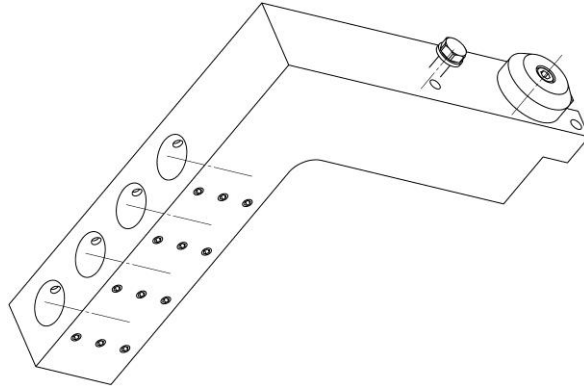


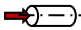
GDF-1207-L

Machine: CITIZEN Cincom

Type: L32/L20

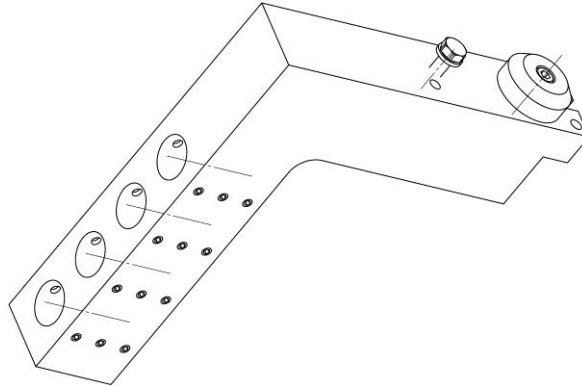
Emplacement, N°: Coulisse linéaire

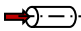
Travail sur: Broche principale

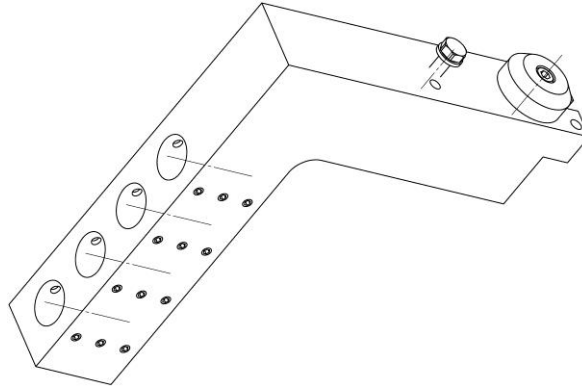
Type de travail:  n_{\max} : - [rpm]i (n_i / n_o): 1 / 1Attachement: \varnothing 19.05

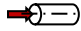
Sans refroidissement Pression maximale: _ [bar]

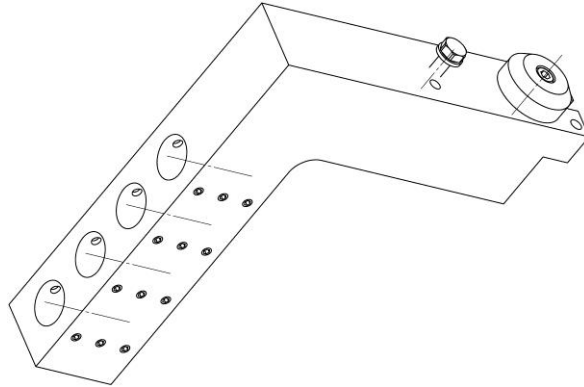
Infos:

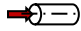
GDF-1207-L

Machine: CITIZEN Cincom
Type: L32/L20
Location, N°: Gangtool
Work on: Main spindle
Type of work: 
 n_{max} : - [rpm]
 $i (n_i / n_o)$: 1 / 1
Attachement: $\varnothing 19.05$
Without coolant Maximum pressure: _ [bar]
Infos:

GDF-1207-L

Maschine: CITIZEN Cincom
Typ: L32/L20
Position, N°: Vertikalhalter
Arbeit über: Hauptspindel
Arbeitstyp: 
 n_{max} : - [rpm]
 $i (n_i / n_o)$: 1 / 1
Befestigung: Ø19.05
Ohne Kühlmittel Maximaler Druck: _ [bar]
Infos:

GDF-1207-L

Macchina: CITIZEN Cincom
Tipo: L32/L20
Posizione, N°: Slitta lineare
Lavoro al: Mandrino principale
Tipo di lavoro: 
 n_{max} : - [rpm]
 $i (n_i / n_o)$: 1 / 1
Ataccamento: $\varnothing 19.05$
Senza refrigerante Pressione massima: _ [bar]
Informazioni: