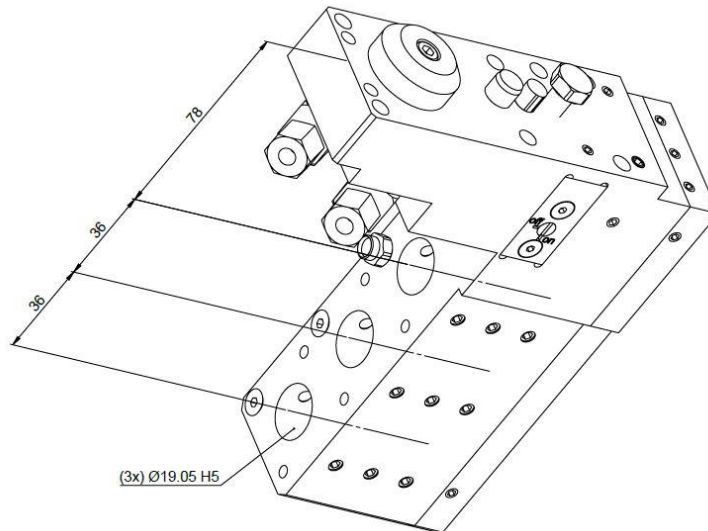
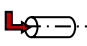


GDF1502-IK



| | | | |
|----------------------|---|----------------|------------|
| Machine: | CITIZEN Cincom | | |
| Type: | M32 III-V-VII | M32 VII-VIII | A32 |
| Emplacement, N°: | U34B, T10 | U152B, T34-T37 | U30B, T10 |
| Travail sur: | Broche principale | Reprise | Principale |
| Type de travail: |  | | |
| n_{max} : | - [rpm] | | |
| i (n_i / n_o): | - | | |
| Attachement: | Ø 19.05 | | |

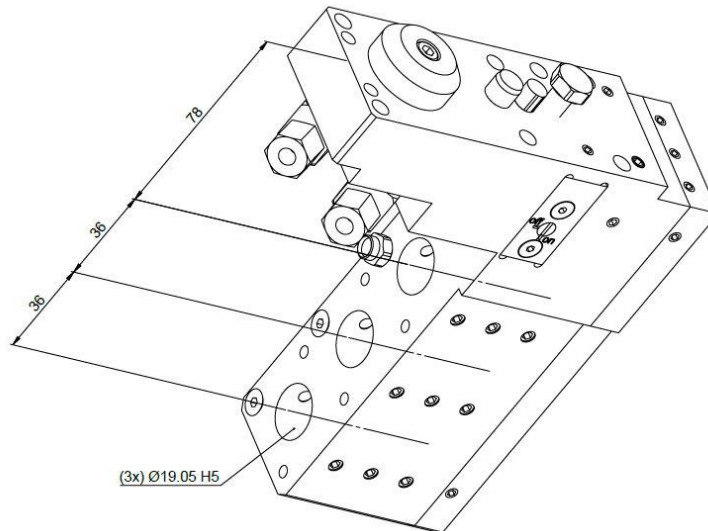
Refroidissement interne avec vanne manuelle on/off, pression maximale: 200 [bar]

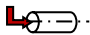
Refroidissement externe, pression maximale: 100 [bar]

Infos:

- Arrosage avec raccordement double pour tube Ø6mm

GDF1502-IK



| | | | |
|----------------------|---|----------------|--------------|
| Machine: | CITIZEN Cincom | | |
| Type: | M32 III-V-VII | M32 VII-VIII | A32 |
| Location, N°: | U34B, T10 | U152B, T34-T37 | U30B, T10 |
| Work on: | Main spindle | Back spindle | Main spindle |
| Type of work: |  | | |
| n_{max} : | - [rpm] | | |
| i (n_i / n_o): | - | | |
| Attachement: | Ø 19.05 | | |

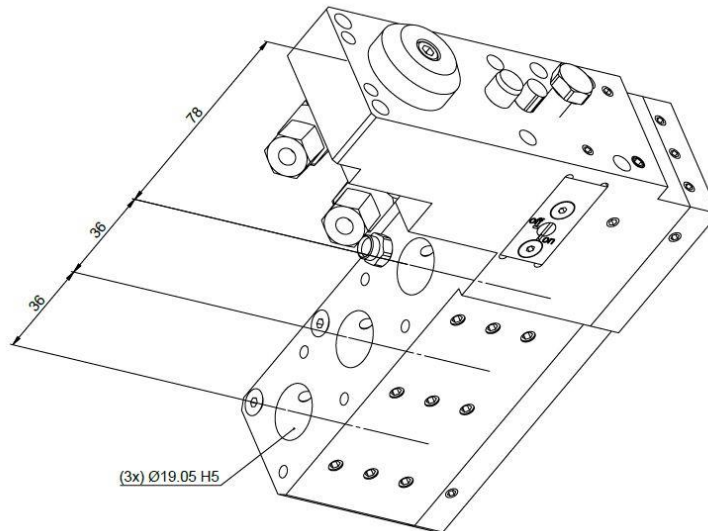
Internal coolant with manual switch valve on/off, maximum pressure: 200 [bar]

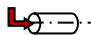
External coolant, maximum pressure: 100 [bar]

Infos:

- Coolant with double connexion for hose Ø6mm

GDF1502-IK



| | | | |
|----------------------|---|----------------|--------------|
| Maschine: | CITIZEN Cincom | | |
| Typ: | M32 III-V-VII | M32 VII-VIII | A32 |
| Position, N°: | U34B, T10 | U152B, T34-T37 | U30B, T10 |
| Arbeit über: | Hauptspindel | Abgreifspindel | Hauptspindel |
| Arbeitstyp: |  | | |
| n_{max} : | - [rpm] | | |
| i (n_i / n_o): | - | | |
| Befestigung: | Ø 19.05 | | |

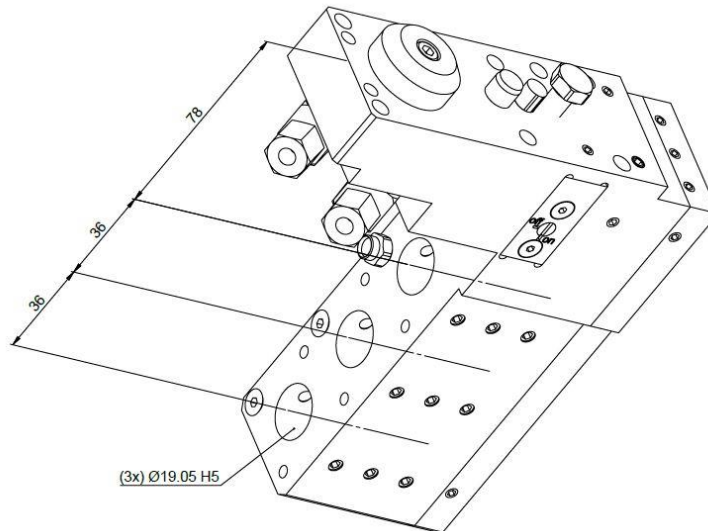
Inner Kühlmittel mit Schliesshahn on/off, Maximaldruck: 200 [bar]

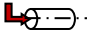
Ausser Kühlmittel, Maximaldruck: 100 [bar]

Infos:

- Kühlmittel mit Doppelanschluss für Ø6mm Schlauch

GDF1502-IK



| | | | |
|---|---|----------------|---------------------|
| Macchina: | CITIZEN Cincom | | |
| Tipo: | M32 III-V-VII | M32 VII-VIII | A32 |
| Posizione, N°: | U34B, T10 | U152B, T34-T37 | U30B, T10 |
| Lavoro al: | Mandrino principale | Contromandrino | Mandrino principale |
| Tipo di lavoro: |  | | |
| n_{max} : | - [rpm] | | |
| i (n_i / n_o): | - | | |
| Ataccamento: | Ø 19.05 | | |
| Refrigerante interno con rubinetto on/off, pressione massima: 200 [bar] | | | |
| Refrigerante esterno, pressione massima: 100 [bar] | | | |
| Informazioni: | | | |
| - Refrigerante con doppia raccordo per tubo Ø6mm | | | |