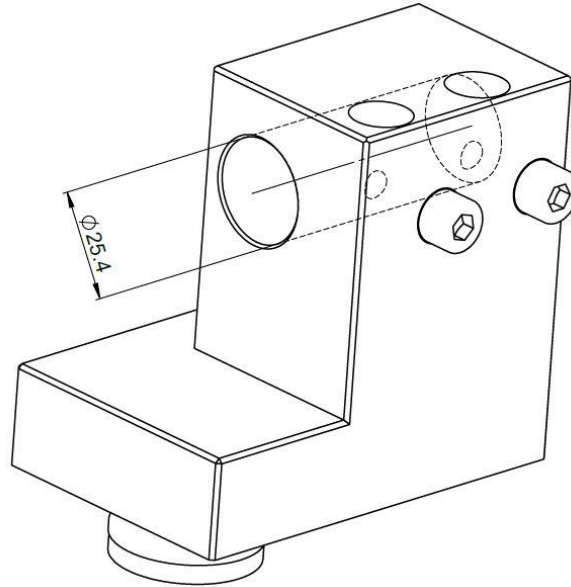
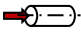
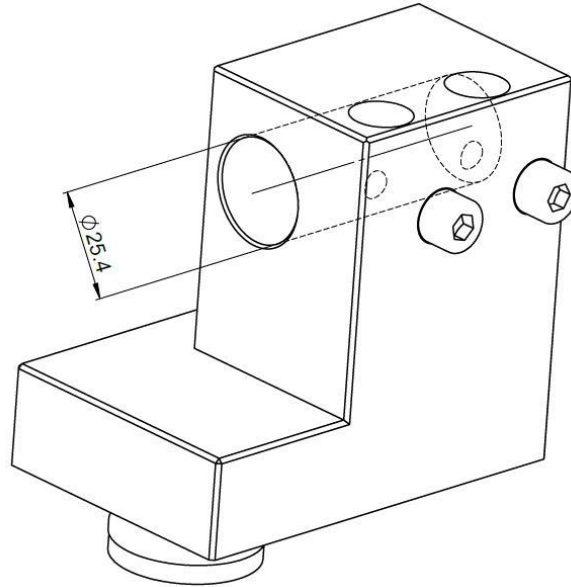
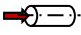
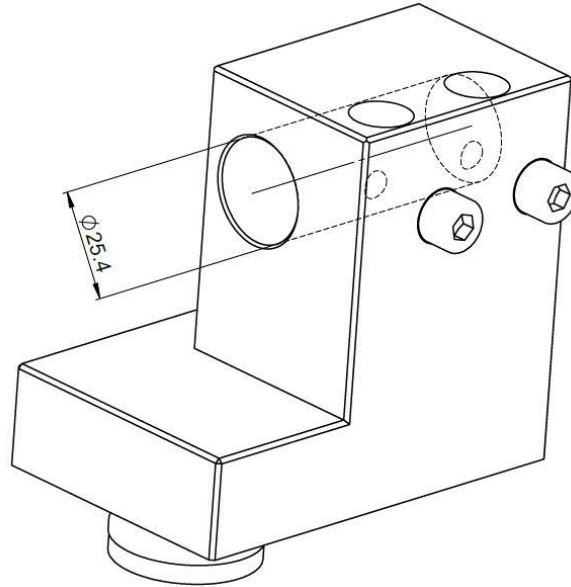


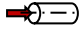
CDF201

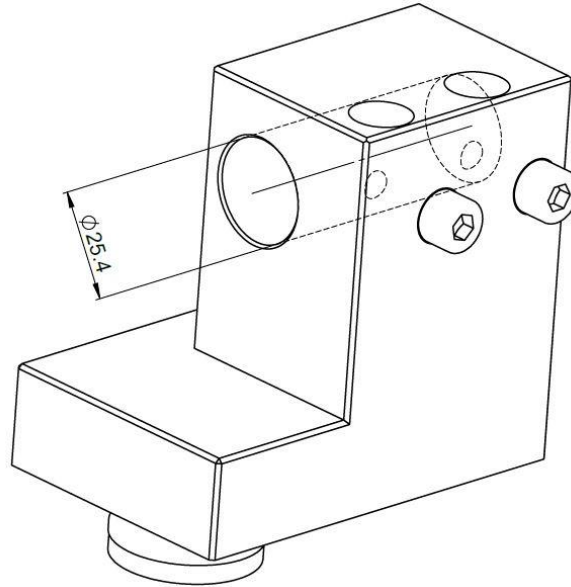
Machine: CITIZEN Cincom
Type: M32
Emplacement, N°: Tourelle
Travail sur: Broche principale / Broche de reprise
Type de travail: 
n_{max}: -
i (n_i / n_o): -
Attachement: Ø 25.4 H7
Refroidissement : -
Pression maximale: - [bar]
Infos:

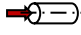
CDF201

Machine: CITIZEN Cincom
Type: M32
Location, N°: Turret
Work on: Main spindle / Back spindle
Type of work: 
n_{max}: -
i (n_i / n_o): -
Attachement: Ø25.4 H7
Coolant: -
Maximum pressure: - [bar]
Infos:

CDF201

Maschine: CITIZEN Cincom
Typ: M32
Position, N°: Revolver
Arbeit über: Hauptspindel / Abgreifspindel
Arbeitstyp: 
n_{max}: -
i (n_i / n_o): -
Befestigung: Ø25.4 H7
Kühlmittel: -
Maximaler Druck: - [bar]
Infos:

CDF201

Macchina:	CITIZEN Cincom
Tipo:	M32
Posizione, N°:	Toretta
Lavoro al:	Mandrino principale / Contromandrino
Tipo di lavoro:	
n _{max} :	-
i (n _i / n _o):	-
Ataccamento:	Ø25.4 H7
Refrigerante:	-
Pressione massima:	- [bar]
Informazioni:	