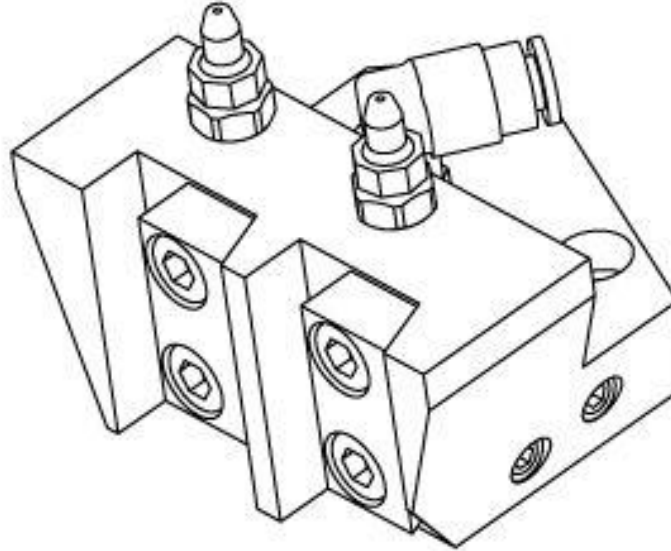
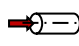
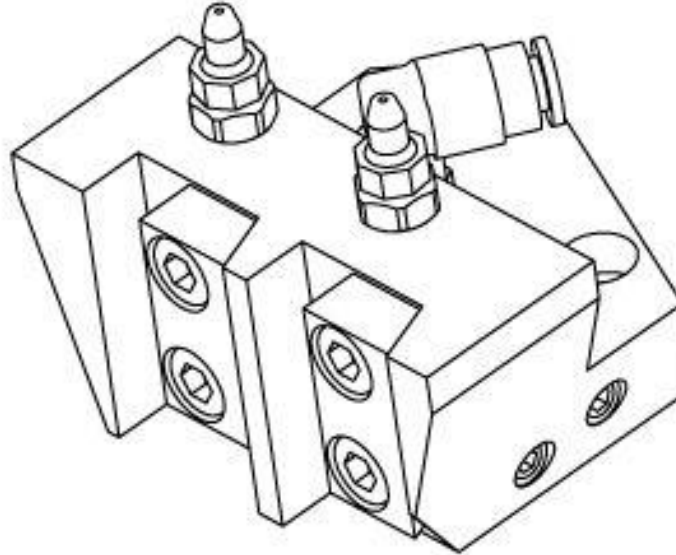
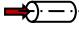
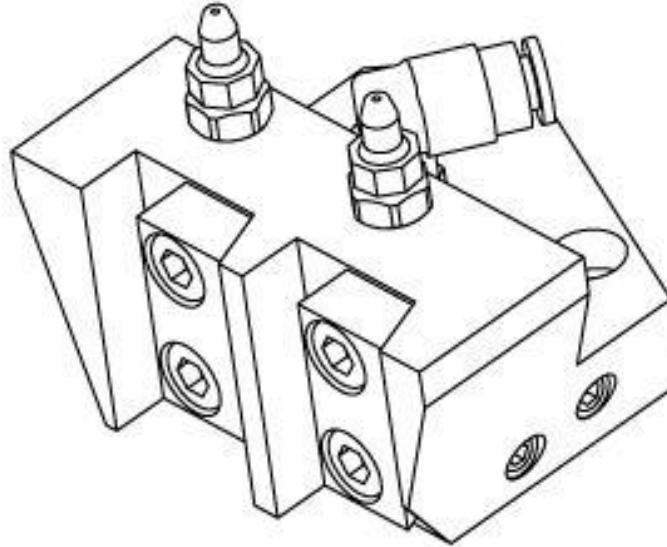


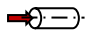
VTF1510-D

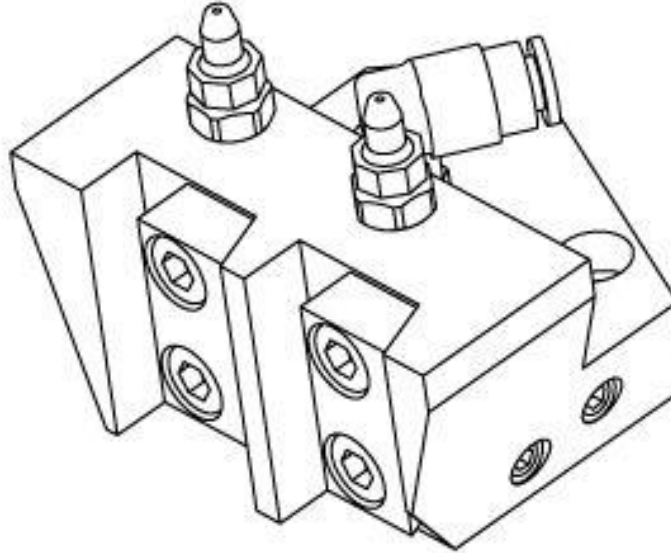
Machine: CITIZEN Cincom
Type: M12/M16
Emplacement, N°: Tourelle
Travail sur: Broche principale / Broche de reprise
Type de travail: 
n_{max}: - [rpm]
i (n_i / n_o): -
Attachement: 2x Burin 10x10
Refroidissement : Externe
Pression maximale: 150 [bar]
Infos:

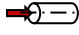
VTF1510-D

Machine: CITIZEN Cincom
Type: M12/M16
Location, N°: Turret
Work on: Main spindle / Back spindle
Type of work: 
n_{max}: - [rpm]
i (n_i / n_o): -
Attachement: 2x Burin 10x10
Coolant : Internal
Maximum pressure: 150 [bar]
Infos:

VTF1510-D

Maschine: CITIZEN Cincom
Typ: M12/M16
Position, N°: Revolver
Arbeit über: Hauptspindel / Abgreifspindel
Arbeitstyp: 
 n_{max} : - [rpm]
 i (n_i / n_o): -
Befestigung: 2x Burin 10x10
Kühlmittel: InnerØ
Maximaler Druck: 150 [bar]
Infos:

VTF1510-D

Macchina: CITIZEN Cincom
Tipo: M12/M16
Posizione, N°: Toretta
Lavoro al: Mandrino principale / Contromandrino
Tipo di lavoro: 
n_{max}: - [rpm]
i (n_i / n_o): -
Ataccamento: 2x Burin 10x10
Refrigerante Interno
Pressione massima: 150 [bar]
Informazioni: