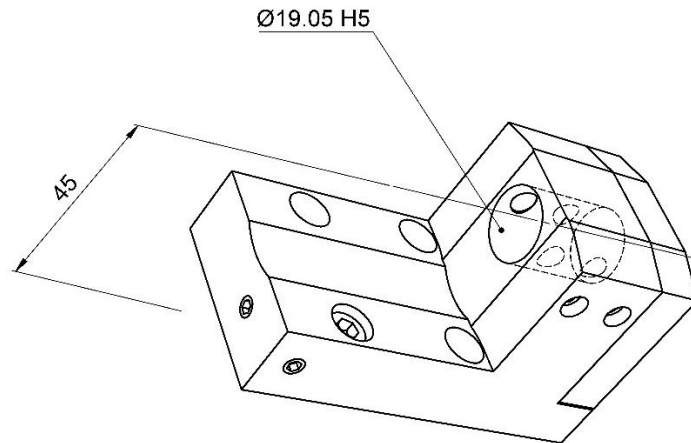
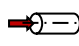
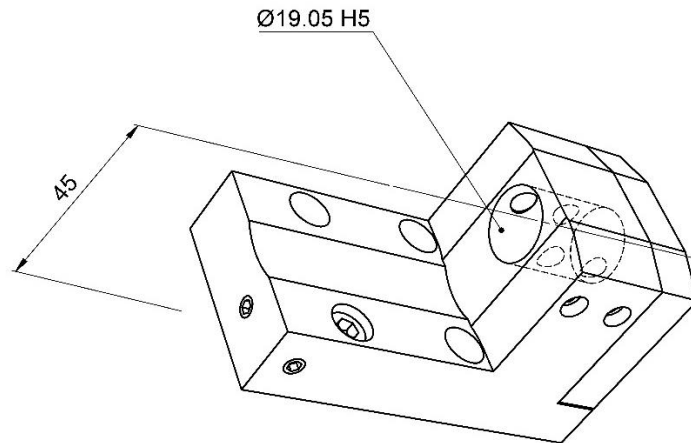
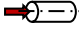
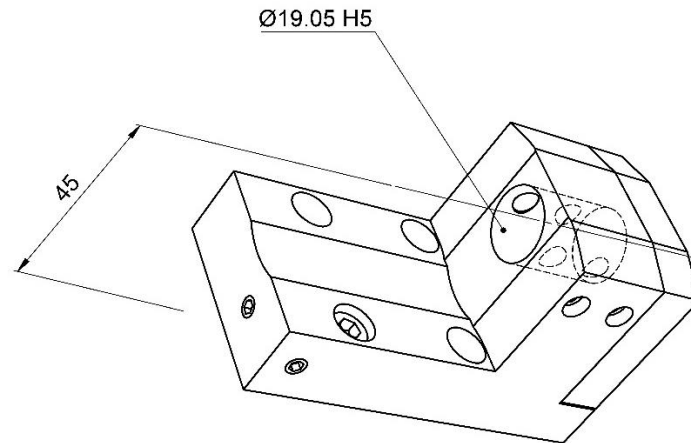


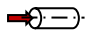
VDF206-HP

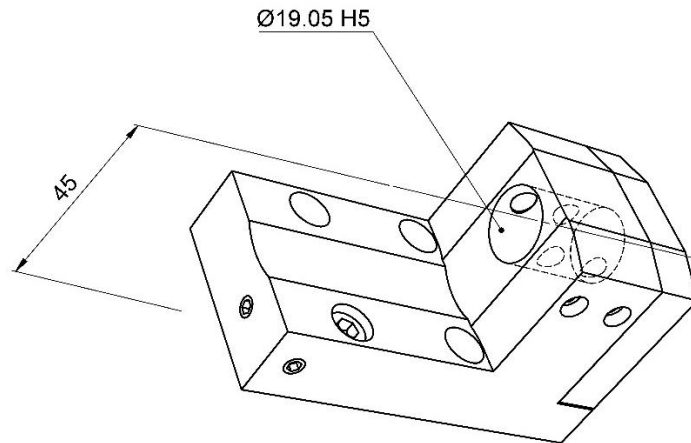
Machine: CITIZEN Cincom
Type: M12/M16
Emplacement, N°: Tourelle
Travail sur: Broche principale / Broche de reprise
Type de travail: 
n_{max}: - [rpm]
i (n_i / n_o): -
Attachement: Arbre Ø19.05
Refroidissement externe + interne
Pression maximale: 100 [bar]
Infos:

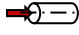
VDF206-HP

Machine: CITIZEN Cincom
Type: M12/M16
Location, N°: Turret
Work on: Main spindle / Back spindle
Type of work: 
 n_{max} : - [rpm]
 i (n_i / n_o): -
Attachement: Arbor $\varnothing 19.05$
External + Internal coolant
Maximum pressure: 100 [bar]
Infos:

VDF206-HP

Maschine: CITIZEN Cincom
Typ: M12/M16
Position, N°: Revolver
Arbeit über: Hauptspindel / Abgreifspindel
Arbeitstyp: 
n_{max}: - [rpm]
i (n_i / n_o): -
Befestigung: Welle Ø19.05
Ausser + inner Kühlmittel
Maximaler Druck: 100 [bar]
Infos:

VDF206-HP

Macchina: CITIZEN Cincom
Tipo: M12/M16
Posizione, N°: Toretta
Lavoro al: Mandrino principale / Contromandrino
Tipo di lavoro: 
n_{max}: - [rpm]
i (n_i / n_o): -
Ataccamento: Albero Ø 19.05
Refrigerante esterno + interno
Pressione massima: 100 [bar]
Informazioni: