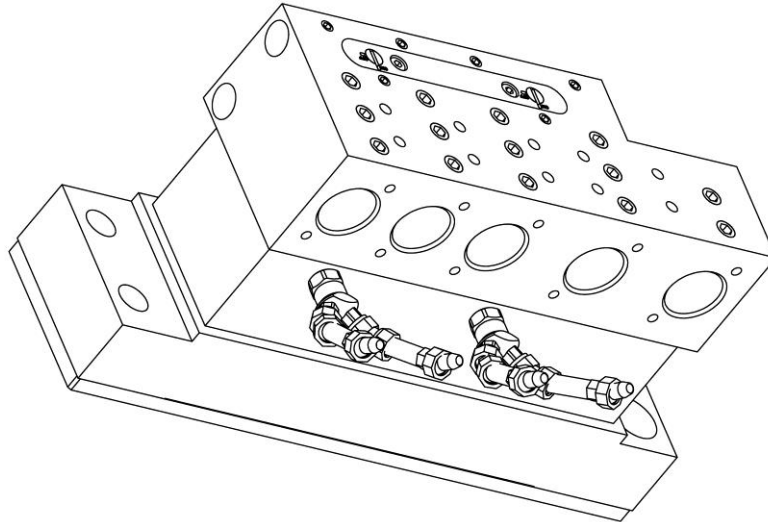


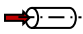
**864-615-OF190**

Machine: CITIZEN Cincom

Type: M416

Emplacement, N°: Coulisse linéaire

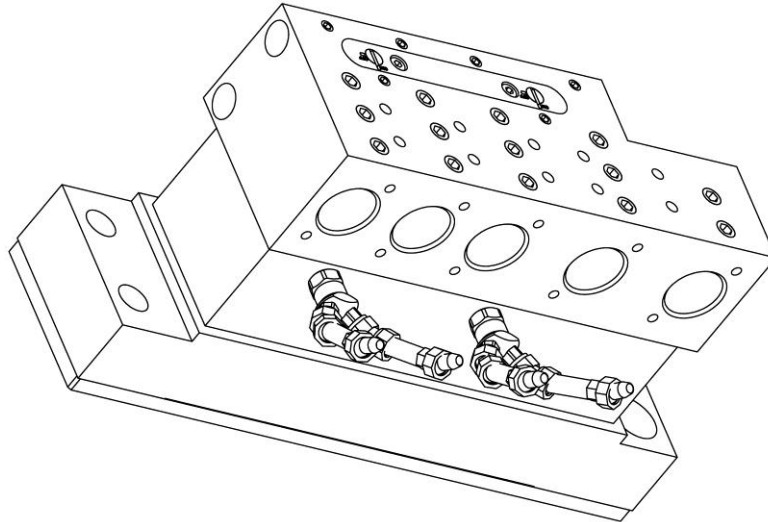
Travail sur: Broche de reprise

Type de travail:  $n_{\max}$ : - [rpm]i ( $n_i / n_o$ ): -

Attachement: 5x Ø19.05

Refroidissement externe / Refroidissement interne Pression maximale: 100 [bar]

Infos:

**864-615-OF190**

Machine: CITIZEN Cincom

Type: M416

Location, N°: Gangtool

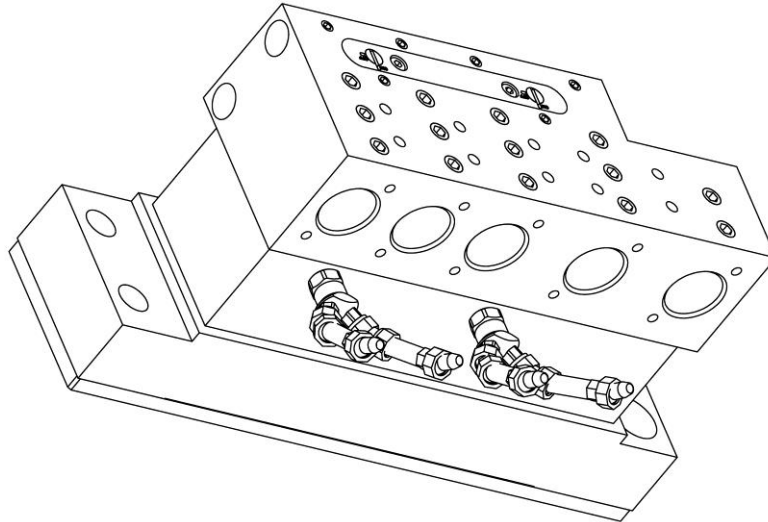
Work on: Back spindle

Type of work:  $n_{max}$ : - [rpm] $i (n_i / n_o)$ : -

Attachement: 5x Ø19.05

External coolant / Internal coolant      Maximum pressure: 100 [bar]

Infos:

**864-615-OF190**

Machine: CITIZEN Cincom

Typ: M416

Position, N°: Vertikalhalter

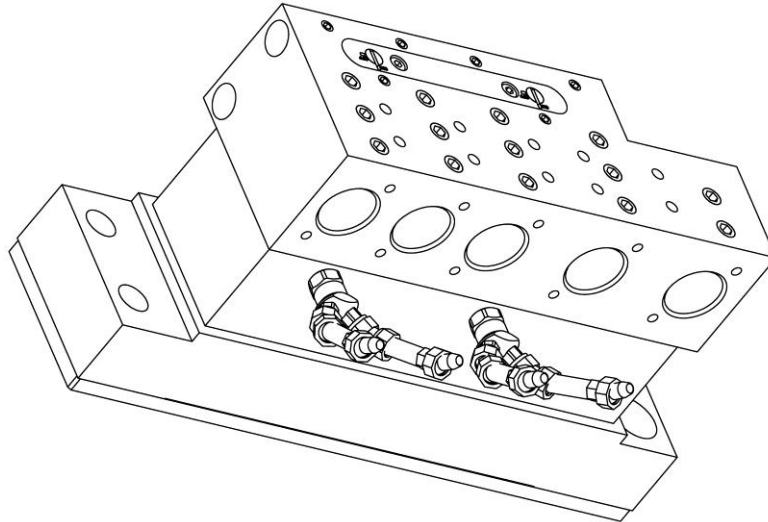
Arbeit über: Abgreifspindel

Arbeitstyp:  $n_{max}$ : - [rpm] $i (n_i / n_o)$ : -

Befestigung: 5x Ø19.05

Ausser Kühlmittel / Inner Kühlmittel      Maximaler Drück: 100 [bar]

Infos:

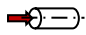
**864-615-OF190**

Macchina: CITIZEN Cincom

Tipo: M416

Posizione, N°: Slitta lineare

Lavoro al: Contromandrino

Tipo di lavoro:  $n_{max}$ : - [rpm]i ( $n_i / n_o$ ): -

Ataccamento: 5x Ø19.05

Refrigerante esterno / Refrigerante interno      Pressione massima: 100 [bar]

Informazioni: