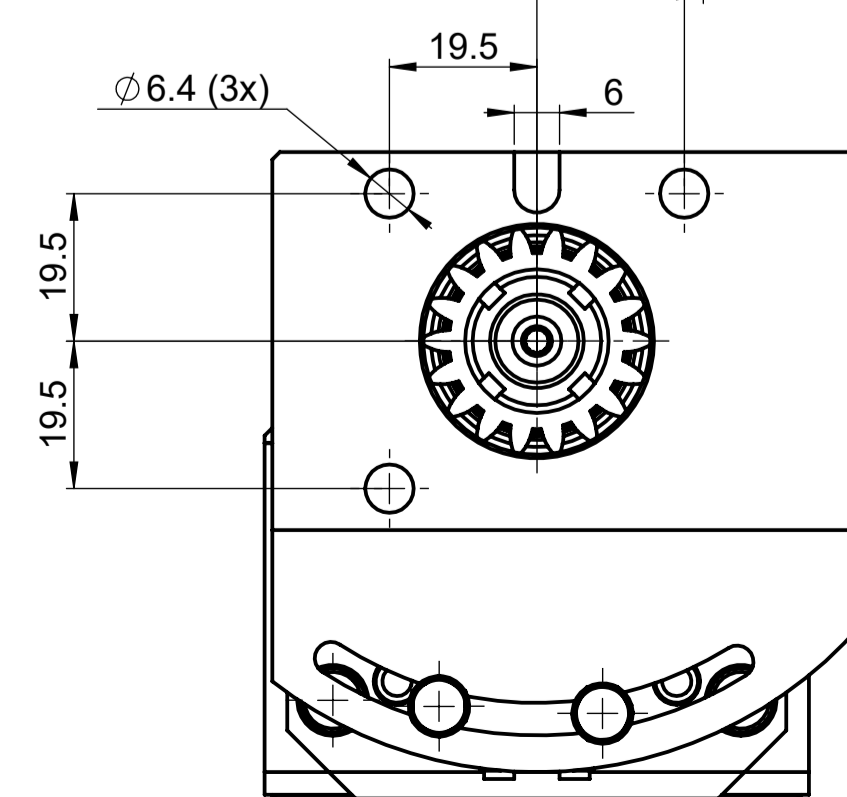
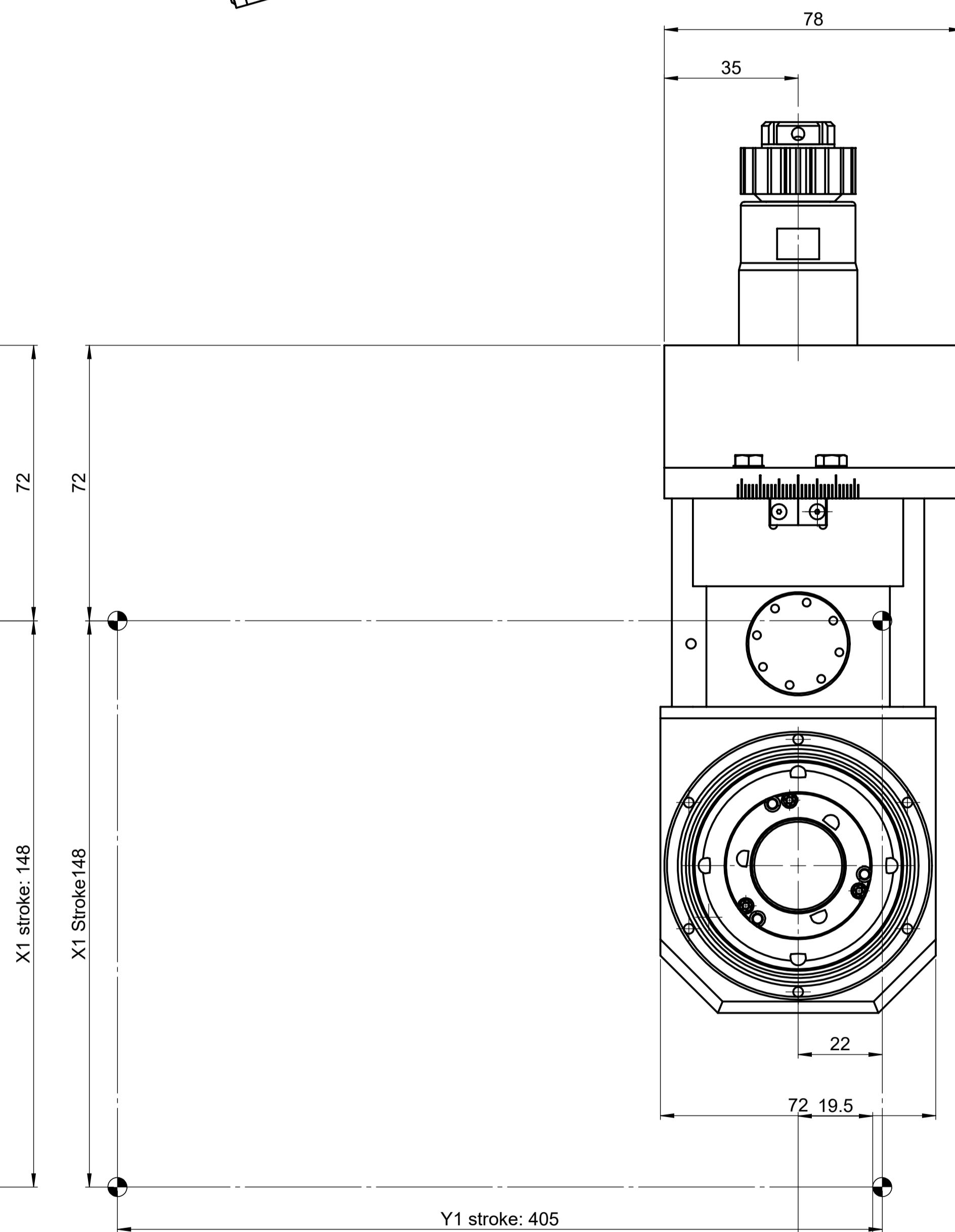
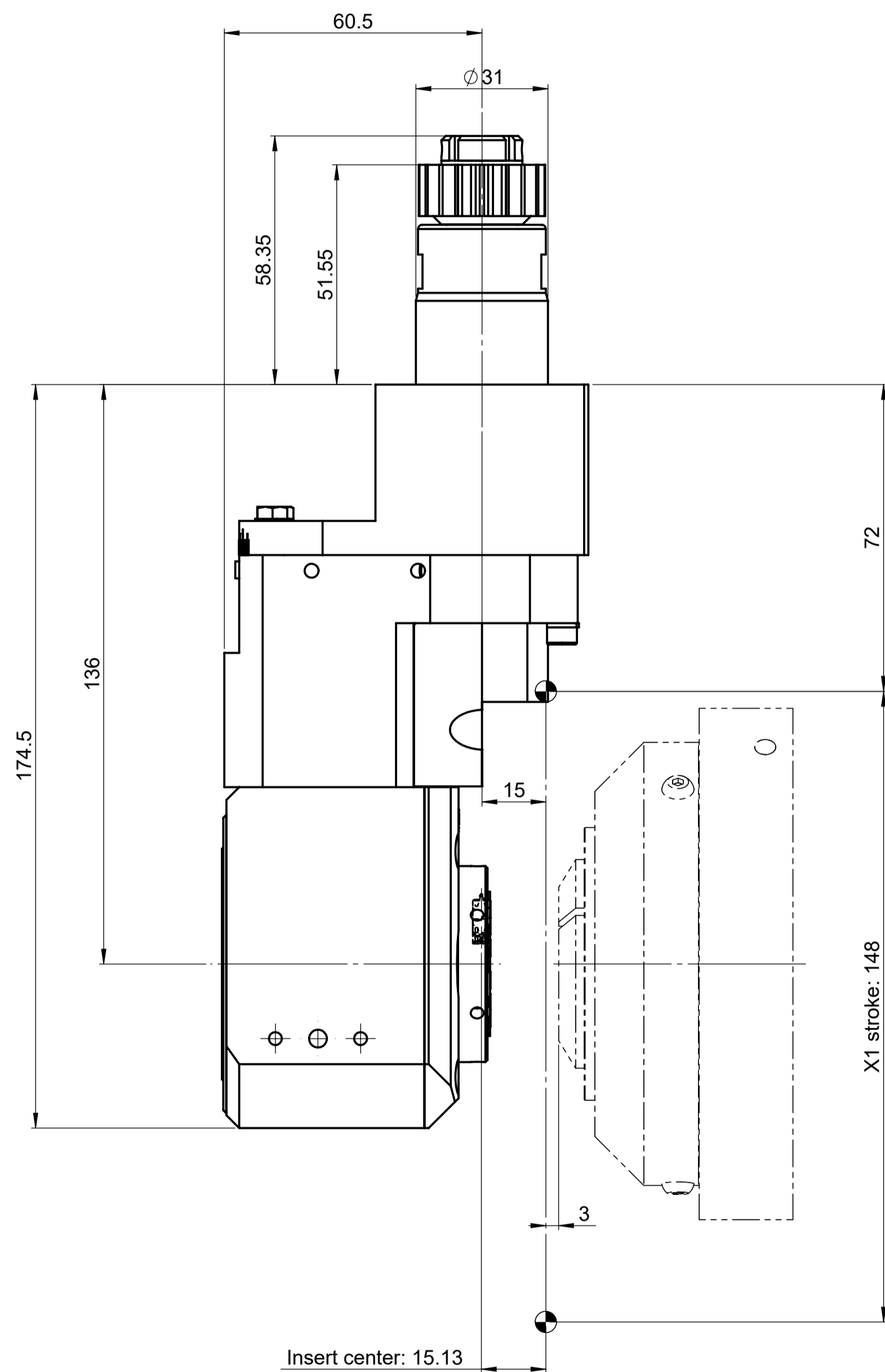
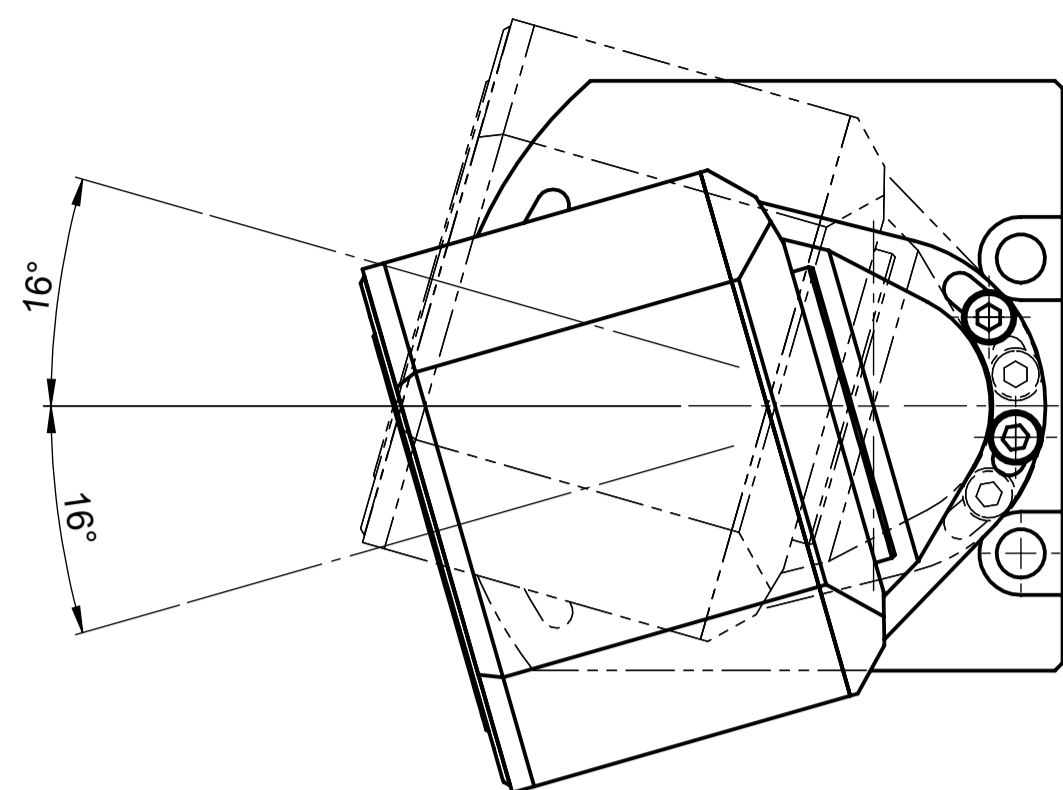
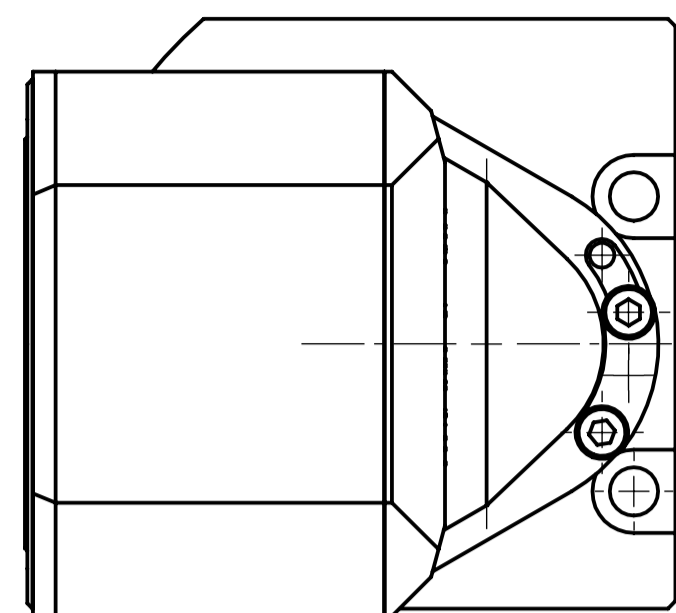
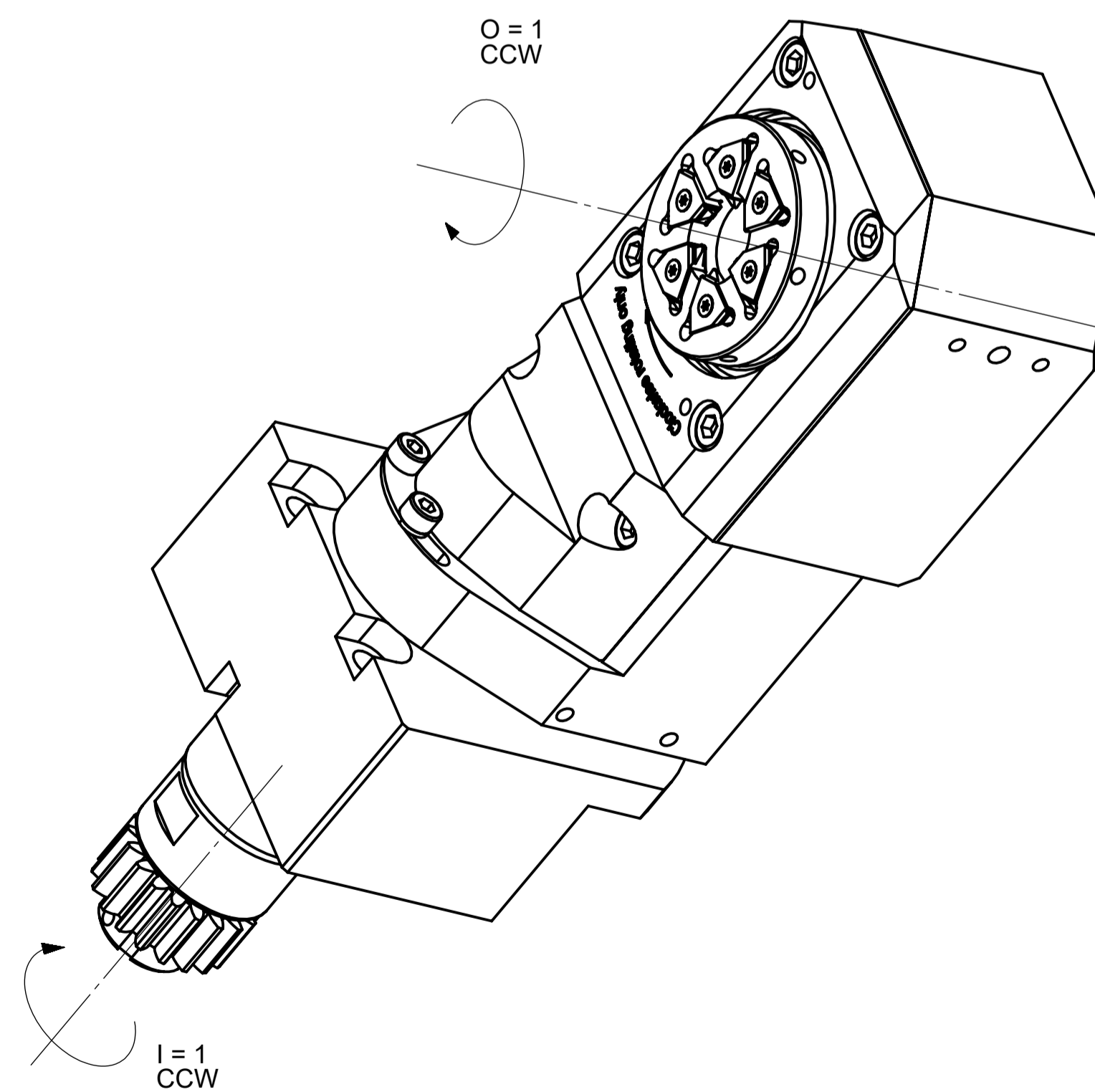
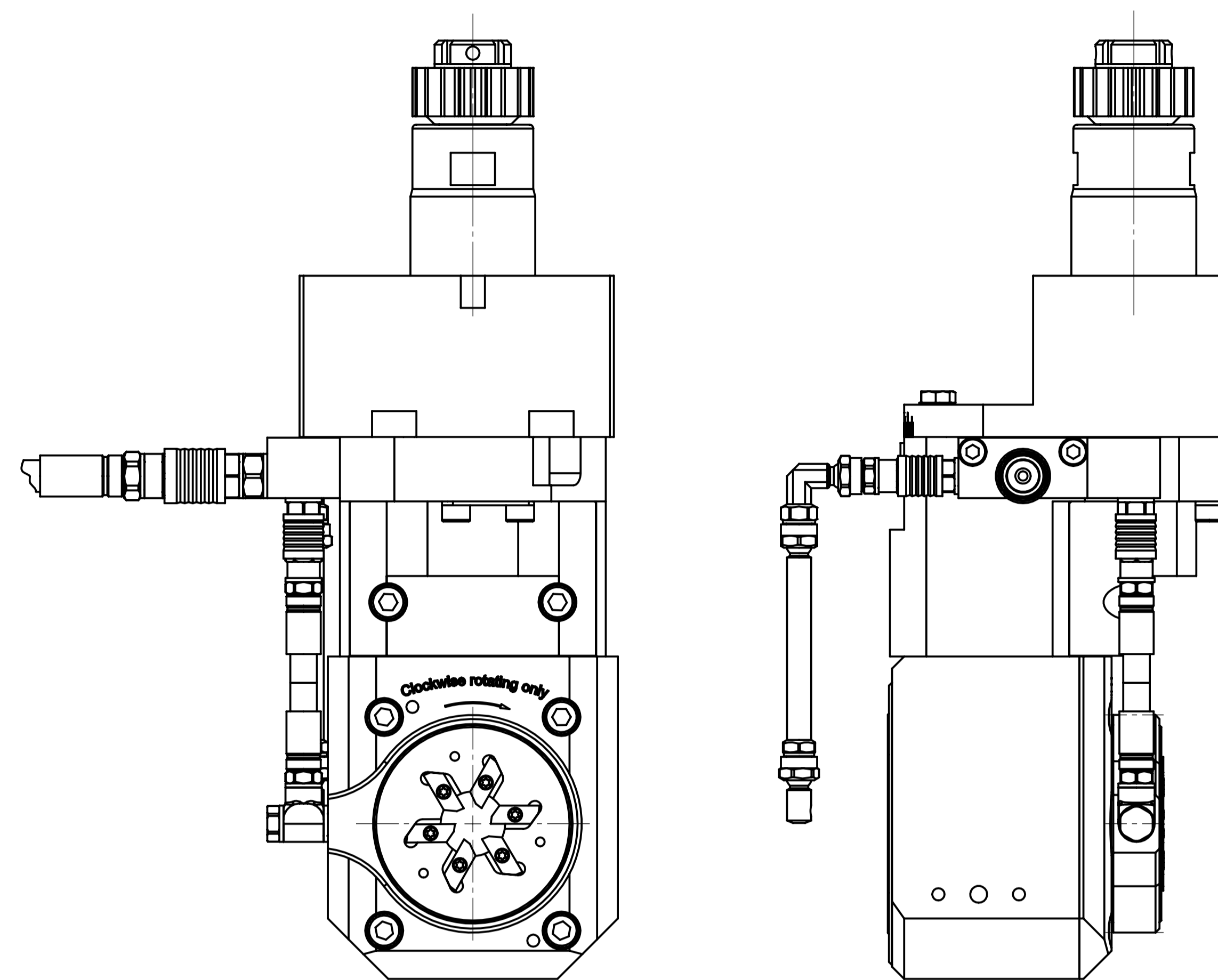


± 16° adjustable



With internal coolant (Option)



WHIRLING TOOL HOLDER
 i (n1:n2) : 1 : 1
 DEGREE OF INCLINATION : ±16°
 COOLANT : No
 MACHINE TYPES : CITIZEN M32-4M3/5/7, M32-5M/7

COMMENTS :
 For use in the T10 position only

The internal coolant kit is required to use the internal coolant thread whirling ring.
 There is a need for an oil filtered at 50 µm.

Thread whirling ring not included!

INCLUDED :
 Fastening screw : 3x D912 6x45
 Screw for Centering tool : 1x D912 4x16
 Universal red Handle : 0-TPK-H01
 Torque adapter 1.2 Nm : 0-TPK-A08-1.2
 75 mm Bits for TORX TX8 screws : 0-TPK-B01-TX08-75
 Key for bayonet whirler : 865-019-102
 Screw for Centering tool : 878-019-512
 Shim washer : D988 12x18x0.2
 Clamping screw : 865-579-22

OPTIONS :
 Adapter kit for old thread whirling ring : Kit adaptation
 Angle adjustment device : REGLANGLE-SW
 Coolant kit : 876-613-80
 See catalog « Thread whirling rings ».

Tourbillonneur I/O=1 0° à 16°	©			
	The reproduction, modification and utilization of the information on this document is prohibited without the express authorization of PCIM Precision Tooling SA. Citizens will not be held liable for the content of this document. All rights reserved in the event of the part of a patent. Only master in French.			
GSW316	Echelle	Créé	Nogueira	23.03.2026
	1:1	Validé	Borgeaud	07.04.2026
Révision	PCIM Precision Tooling SA +41 21 907 33 66 CH-1848 Valeyevue www.pcm.ch			
A	PCIM			