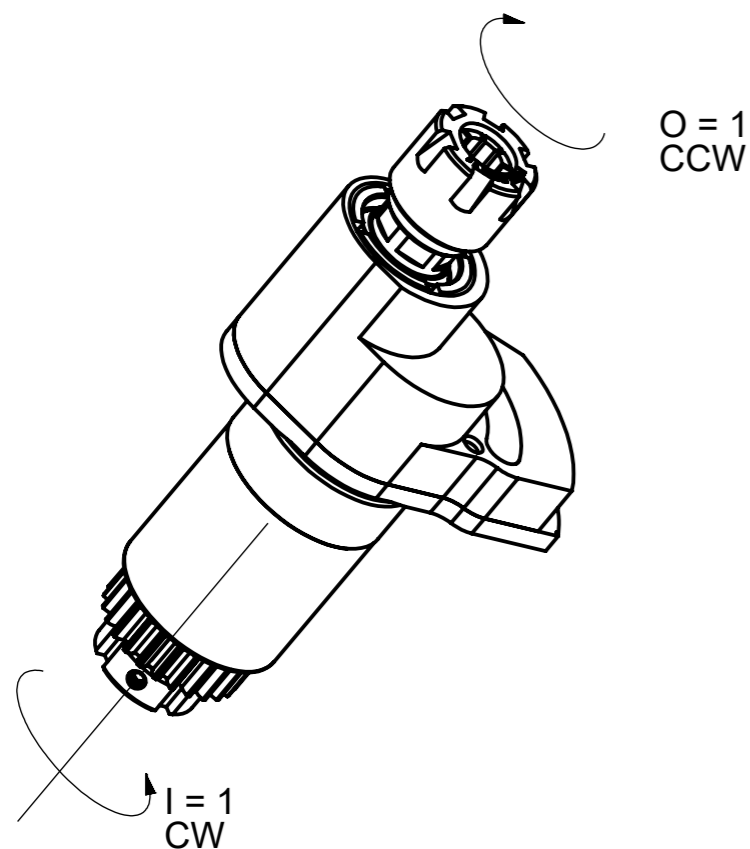
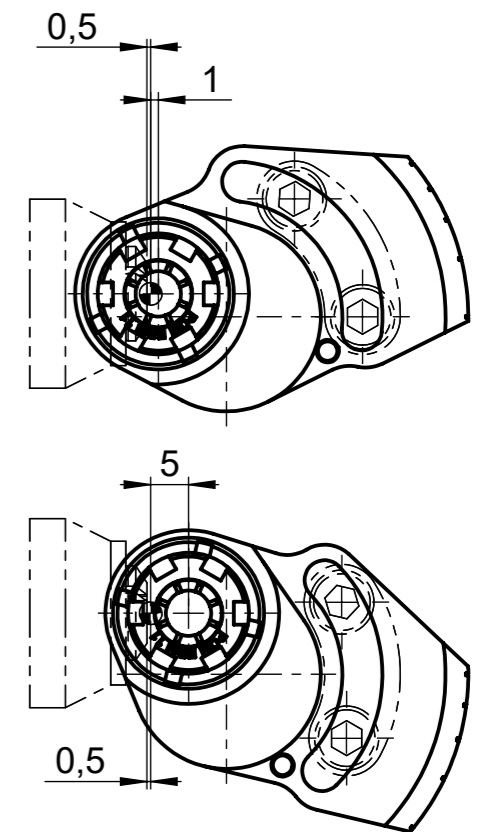


adjusting the distance from the origin



Fabricant: Citizen  
Machine: R04-5F6  
Position: Front gang tool post  
Ratio: I/O=1/1

Note:  
This tool holder can only be used with the U36B drive unit.  
Adjustable distance from origin : 1 - 5 mm

P.-outil entraîne I/O=1/1 ER11	The reproduction, distribution and utilization of this document as well as the communication of its contents to others without express authorization is prohibited. Offenders will be held liable for the payment of damages. All rights reserved in the event of the grant of a patent, utility model or design.	Citizen		
		Echelle 1:1	Créé	Nogueira
0100-SC011-A0D000-1S01 PR	Révision A	Validé	Borgeaud	18.11.2025
		PCM be driven.		PCM Precision Tooling SA +41 21 967 33 66 CH-1844 Villeneuve www.pcm.ch