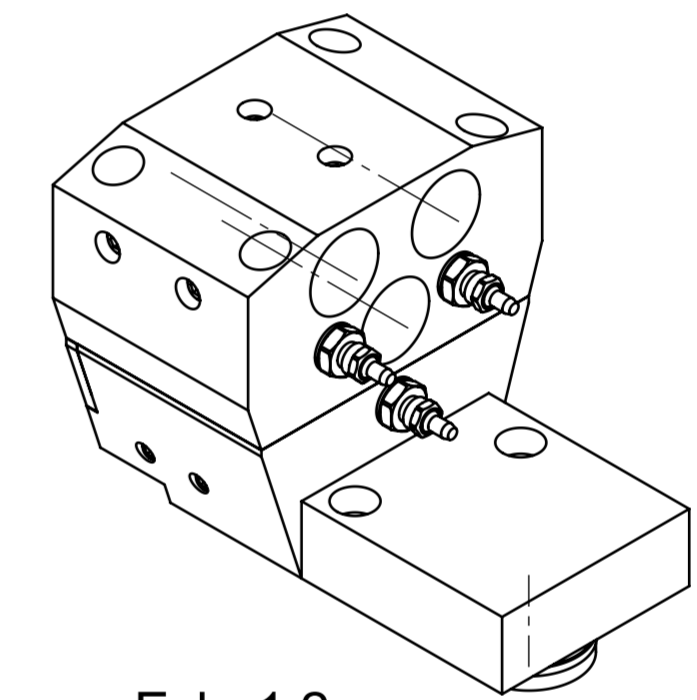
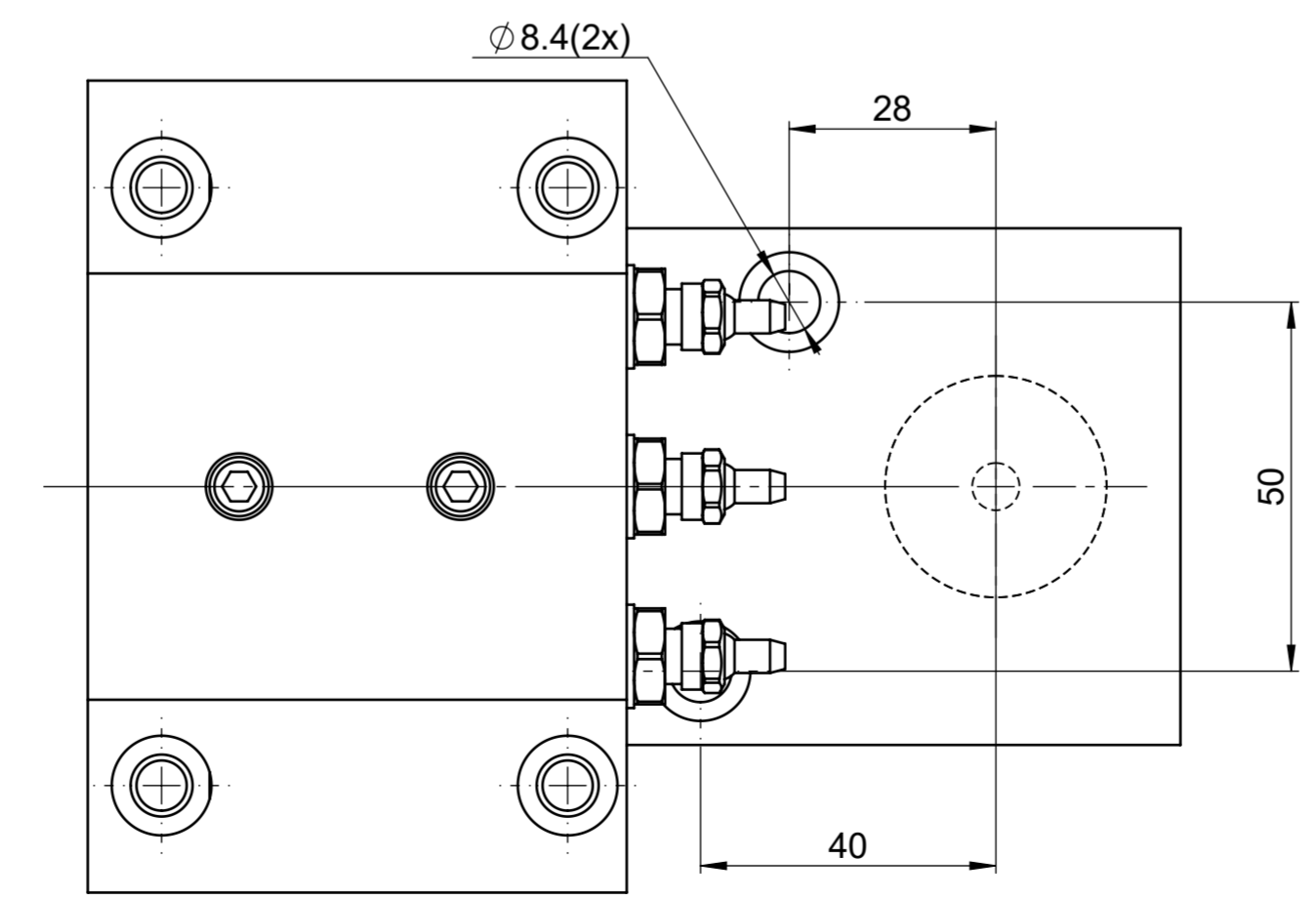


M32-5M5 Stroke Z2: 225
M32-4M5 Stroke Z2 :202



Ech.:1:2



BORING BAR HOLDER
 POSITION : Turret
 SHANK Ø : 3xØ25.4mm (standard)
 COOLANT : Intern/Extern, max 150 bar
 MACHINE TYPES : CITIZEN M20-2M5, M20-3M5,
 M32-2M5, M32-3M5, M32-4M5/7/8, M32-5M5/7/8

Tête triple porte-barre d'alésage HP	<small>The reproduction, distribution and utilization of this document as well as the communication of its contents to others without express authorisation is prohibited. Offenders will be held liable for the payment of damages. All rights reserved in the event of the grant of a patent, utility model or design.</small>	Citizen		
		Echelle 1:1	Créé Validé	Pilet Tucev
CDF901-IK	Révision D			<small>PCM Precision Tooling SA +41 21 967 33 66 CH-1844 Villeneuve www.pcm.ch</small>