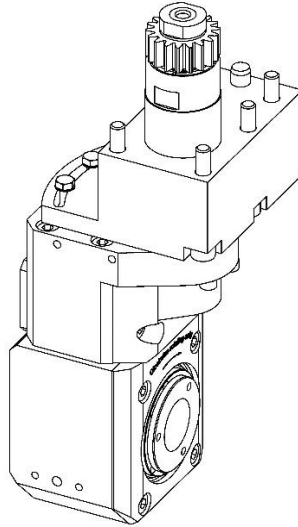


GSW164

Machine: CITIZEN Cincom

Type: A320

Emplacement, N°: T11

Travail sur: Broche principale

Type de travail: n_{max}: 8'000 [rpm]i (n_i / n_o): 1 / 1

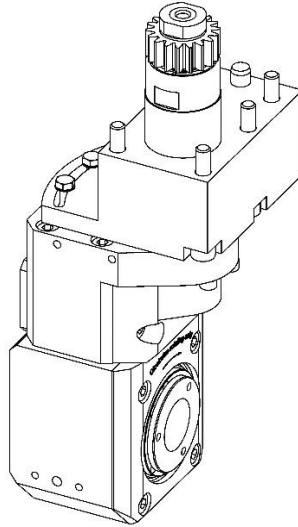
Attachement: Tête porte-plaquettes

Sans refroidissement

Infos:

- Inclinaison : 16°

- Têtes compatibles avec fixation rapide : Gloor (couteaux ronds), Schwanog (couteaux triangulaires) et Horn (couteaux triangulaires), Ø de passage 8, 11, 12mm.

GSW164

Machine: CITIZEN Cincom

Type: A320

Location, N°: T11

Work on: Main spindle

Type of work: n_{max}: 8'000 [rpm]i (n_i / n_o): 1 / 1

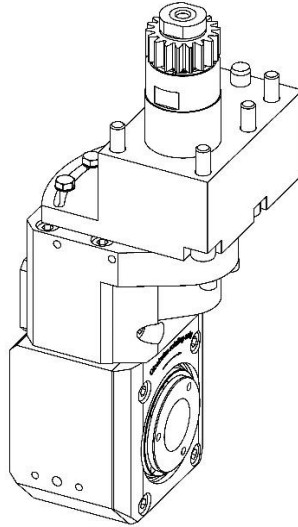
Attachement: Whirling head

Without coolant

Infos:

- Inclination : 16°

- Compatible heads with quick attachment : Gloor (round cutters), Schwanog (triangular cutters) and Horn (triangular cutters), passing Ø 8, 11, 12mm.

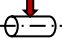
GSW164

Machine: CITIZEN Cincom

Typ: A320

Position, N°: T11

Arbeit über: Hauptspindel

Arbeitstyp: n_{max}: 8'000 [rpm]i (n_i / n_o): 1 / 1

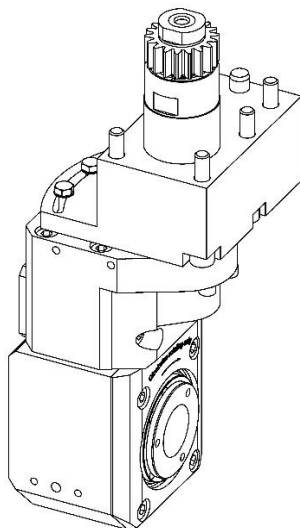
Befestigung: Wirbelkopf

Ohne Kühlmittel

Infos:

- Neigungswinkel : 16°

- Kompatibel Wirbelköpfe mit Schnellbefestigung : Gloor (Zirkularplatten), Schwanog (Dreikantplatten) und Horn (Dreikantplatten), DurchführungsØ 8, 11, 12mm.

GSW164

Macchina: CITIZEN Cincom

Tipo: A320

Posizione, N°: T11

Lavoro al: Mandrino principale

Tipo di lavoro: n_{max}: 8'000 [rpm]i (n_i / n_o): 1 / 1

Ataccamento: Disco per discofilletatura

Senza refrigerante

Informazioni:

- Inclinazione : 16°

- Dischi compatibili con attacchi veloce : Gloor (inserti circolari), Schwanog (inserti triangolare) e Horn (inserti triangolare), Ø di passaggio 8m, 11, 12mm.