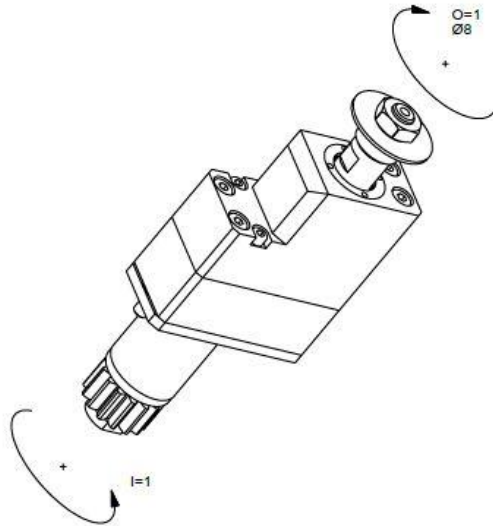
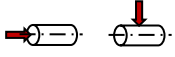
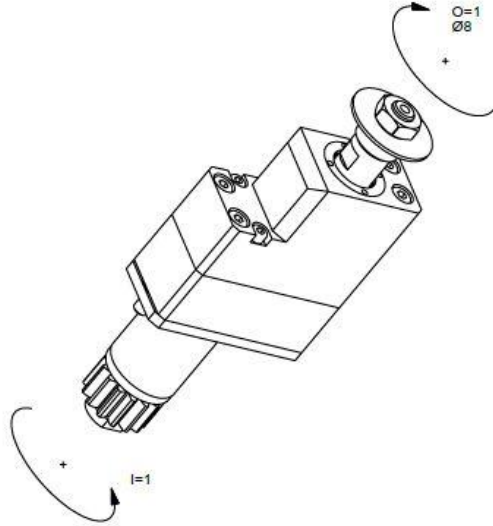


GSS507-08

Machine: CITIZEN Cincom
Type: M416
Emplacement, N°: Coulisse linéaire T08
Travail sur: Broche principale
Type de travail: 
n_{max}: 6'000 [rpm]
i (n_i / n_o): 1 / 1
Attachement: Arbre Ø 8
Sans refroidissement
Infos: Fraise-scie

- Ø =30-50mm
- Largeur max =3mm


GSS507-08

Machine: CITIZEN Cincom

Type: M416

Location, N°: Gangtool T08

Work on: Main spindle

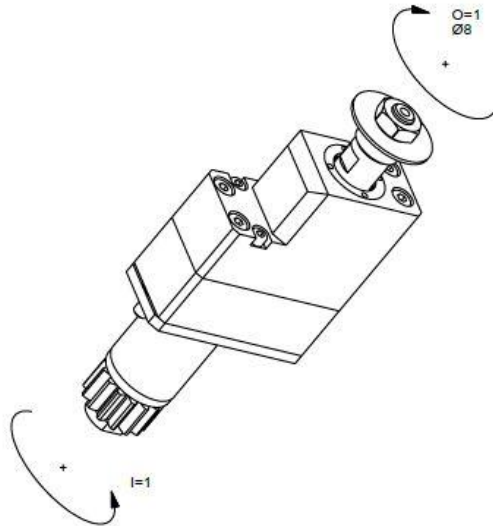
Type of work:  n_{max} : 6'000 [rpm] i (n_i / n_o): 1 / 1

Attachement: Shaft Ø 8

Without coolant

Infos: Mill saw

- Ø =30-50mm
- Width max =3mm

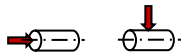
GSS507-08

Machine: CITIZEN Cincom

Typ: M416

Position, N°: Vertikalhalter, T08

Arbeit über: Hauptspindel

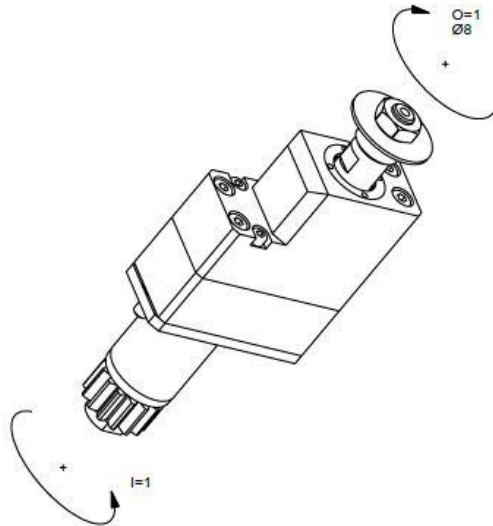
Arbeitstyp:  n_{max} : 6'000 [rpm] i (n_i / n_o): 1 / 1

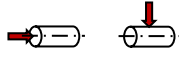
Befestigung: Welle Ø 8

Ohne Kühlmittel

Infos: Frässa­geblät­ter

- Ø = 30-50mm
- Breite max =3mm

GSS507-08

Macchina: CITIZEN Cincom
Tipo: M416
Posizione, N°: Slitta lineare, T08
Lavoro al: Mandrino principale
Tipo di lavoro: 
 n_{max} : 6'000 [rpm]
 i (n_i / n_o): 1 / 1
Atacco: Albero Ø 8

Senza refrigerante

Informazioni: Frese-seghe

- Ø = 30-50mm
- Larghezza max =3mm