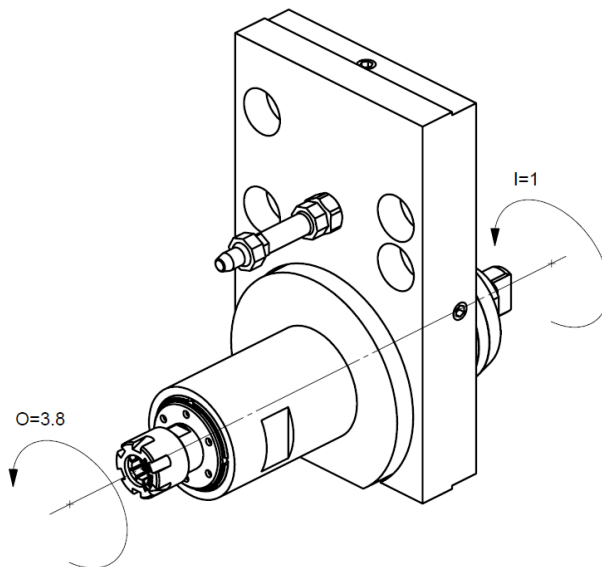
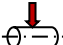
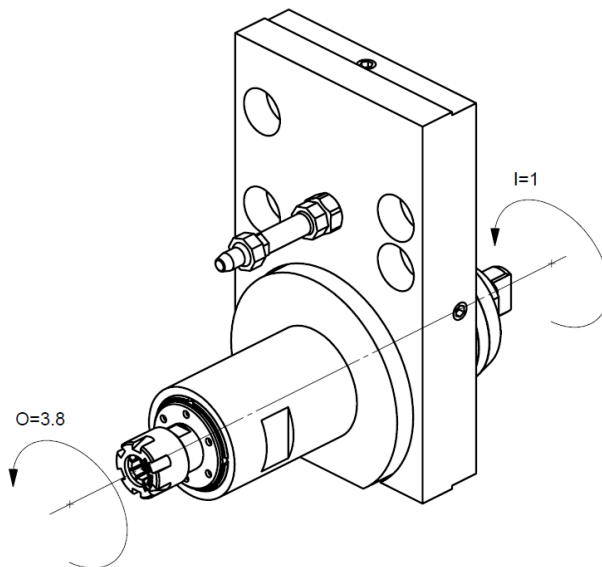
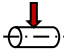
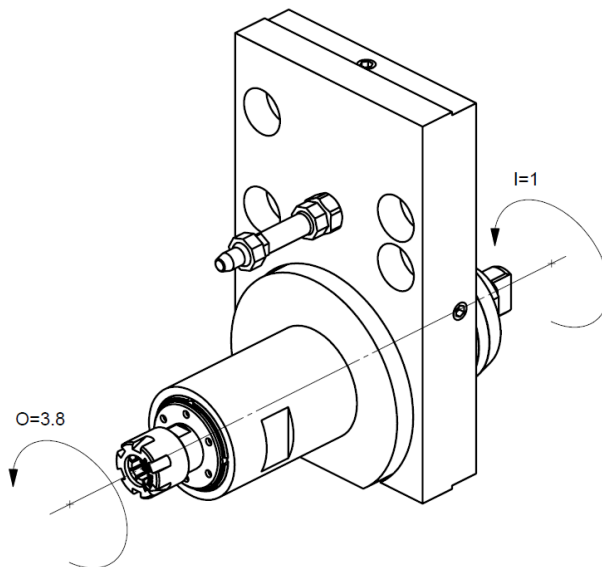


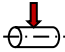
**KSC107-4x**

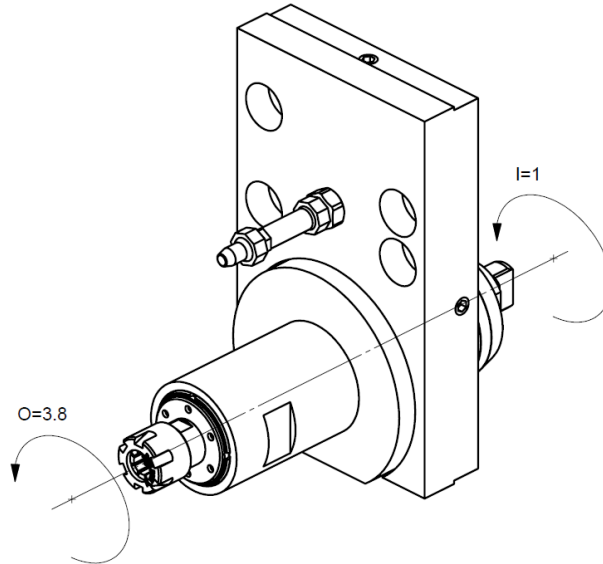
Machine: Citizen  
Type: M532  
Emplacement, N°: Turret  
Travail sur: Broche principale / Broche de reprise  
Type de travail:   
 $n_{max}$ : 22'800 [rpm]  
 $i$  ( $n_i / n_o$ ): 1 / 3.8  
Attachement: ER11  
Refroidissement externe  
Infos:  
Couple max : 0.2 Nm

**KSC107-4x**

Machine:	Citizen
Type:	M532
Location, N°:	Turret
Work on:	Main spindle / Back spindle
Type of work:	
$n_{max}$ :	22'800 [rpm]
$i (n_i / n_o)$ :	1 / 3.8
Attachement:	ER11
Extern coolant	
Infos:	
Torque max:	0.2 Nm

**KSC107-4x**

Maschine: Citizen  
Typ: M532  
Position, N°: Turret  
Arbeit über: Hauptspindel / Abgreifspindel  
Arbeitstyp:   
 $n_{max}$ : 22'800 [rpm]  
 $i$  ( $n_i / n_o$ ): 1 / 3.8  
Befestigung: ER11  
Ausser Kühlmittel  
Infos:  
Max. Drehmoment: 0.2 Nm

**KSC107-4x**

Macchina:	Citizen
Tipo:	M532
Posizione, N°:	Turret
Lavoro al:	Mandrino principale / Contromandrino
Tipo di lavoro:	
$n_{max}$ :	22'800 [rpm]
$i$ ( $n_i / n_o$ ):	1 / 3.8
Ataccamento:	ER11
Refrigerante esterno	
Informazioni:	
Coppia max:	0.2 Nm