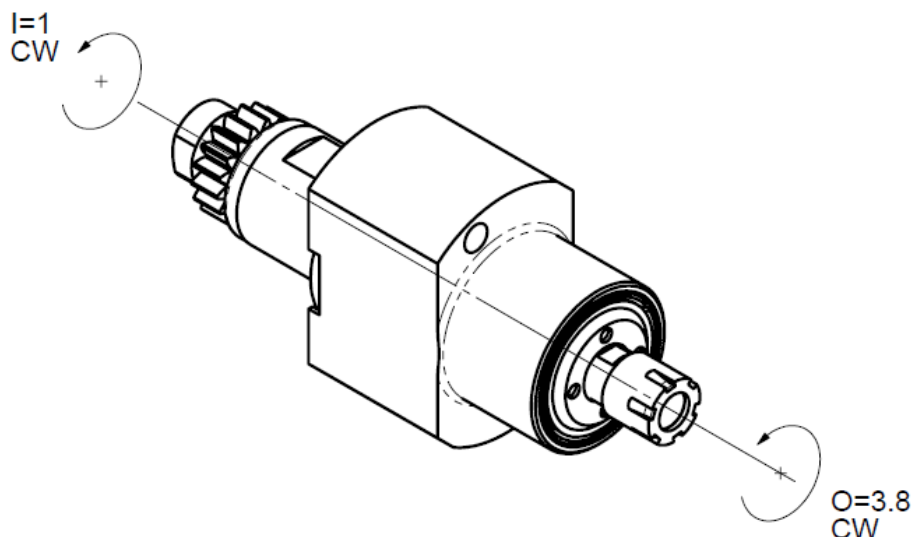
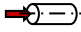
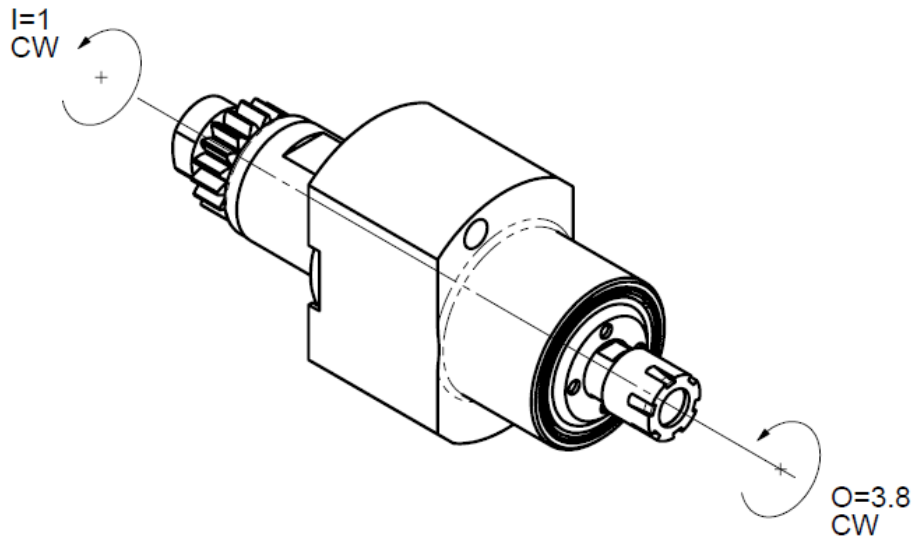
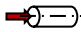
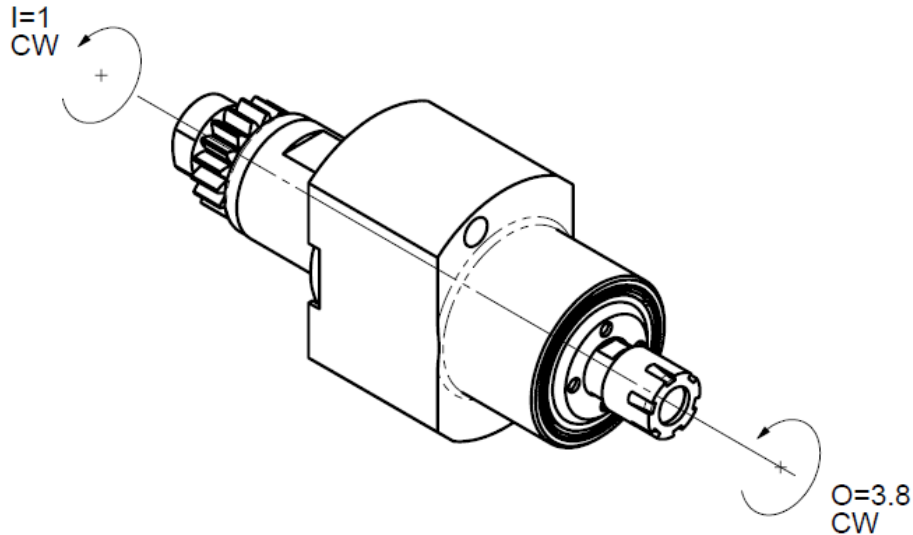


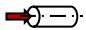
**0200-SC011-A00A00-1S03**

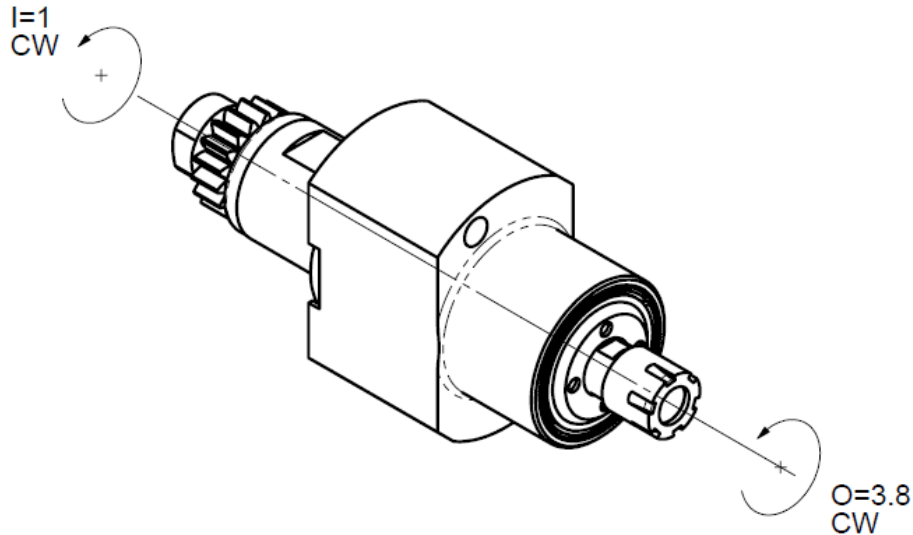
|                      |  |
|----------------------|--|
| Machine:             | STAR MICRONICS   |
| Type:                | SB12/20R ,<br>SR-20J/JN , SR 20R II , SR-20R III , SR-20R-IV<br>SR-32J/JN , SR-32J II<br>SW-12 |
| Emplacement, N°:     | Back tool post   |
| Travail sur:         | Broche de reprise  |
| Type de travail:     |             |
| $n_{max}$ :          | 30'400 [rpm]   |
| $i$ ( $n_i / n_o$ ): | 1 / 3.8  |
| Attachement:         | ER11   |
| Infos:               |  |
| Couple max :         | 0.2 Nm   |

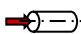
**0200-SC011-A00A00-1S03**

|                      |  |
|----------------------|--|
| Machine:             | STAR MICRONICS   |
| Type:                | SB12/20R ,<br>SR-20J/JN , SR 20R II , SR-20R III , SR-20R-IV<br>SR-32J/JN , SR-32J II<br>SW-12 |
| Location, N°:        | Back tool post   |
| Work on:             | Back spindle   |
| Type of work:        |             |
| $n_{max}$ :          | 30'400 [rpm]   |
| $i$ ( $n_i / n_o$ ): | 1 / 3.8  |
| Attachement:         | ER11   |
| Infos:               |  |
| Torque max:          | 0.2 Nm   |

**0200-SC011-A00A00-1S03**

|                      |  |
|----------------------|--|
| Machine:             | STAR MICRONICS   |
| Type:                | SB12/20R ,<br>SR-20J/JN , SR 20R II , SR-20R III , SR-20R-IV<br>SR-32J/JN , SR-32J II<br>SW-12 |
| Location, N°:        | Back tool post   |
| Work on:             | Back spindle   |
| Type of work:        |             |
| $n_{max}$ :          | 30'400 [rpm]   |
| $i$ ( $n_i / n_o$ ): | 1 / 3.8  |
| Attachement:         | ER11   |
| Infos:               |  |
| Torque max:          | 0.2 Nm   |

**0200-SC011-A00A00-1S03**

|                                       |  |
|---------------------------------------|--|
| Macchina:                             | STAR MICRONICS   |
| Tipo:                                 | SB12/20R ,<br>SR-20J/JN , SR 20R II , SR-20R III , SR-20R-IV<br>SR-32J/JN , SR-32J II<br>SW-12 |
| Posizione, N°:                        | Back tool post   |
| Lavoro al:                            | Contromandrino   |
| Tipo di lavoro:                       |             |
| n <sub>max</sub> :                    | 30'400 [rpm]   |
| i (n <sub>i</sub> / n <sub>o</sub> ): | 1 / 3.8  |
| Atacco:                               | ER11   |
| Informazioni:                         |  |
| Coppia max:                           | 0.2 Nm   |