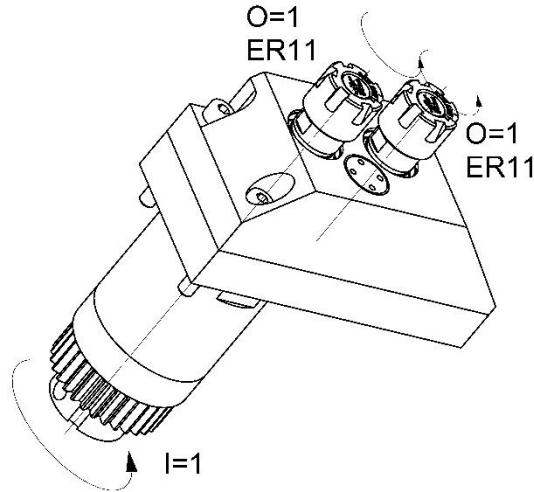
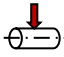
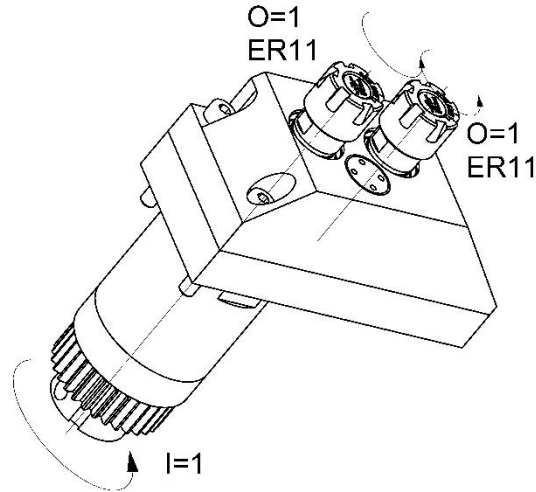
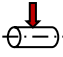
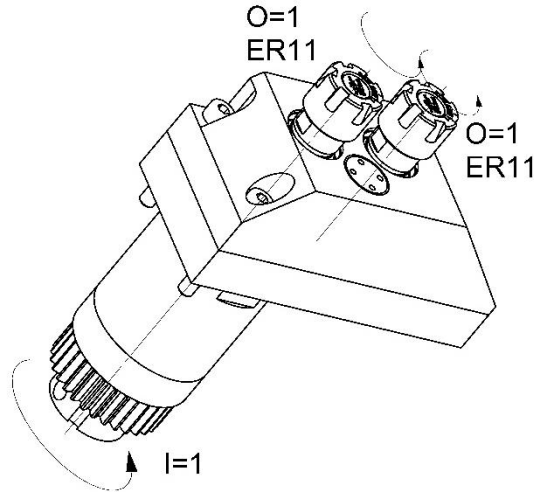


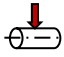
0200-SC011-A00000-2S02

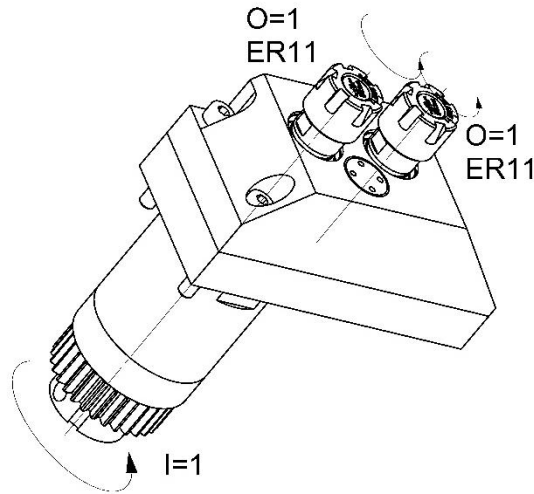
Machine: Star Micronics
Type: SB-20RG
Emplacement, N°: Upper Gang Tool Post
Travail sur: Broche principale
Type de travail: 
i (ni / no): 1 / 1
Attachement: 2x ER11
Refroidissement : -
Infos: -

0200-SC011-A00000-2S02

Machine: Star Micronics
Type: SB-20RG
Location, N°: Upper Gang Tool Post
Work on: Main spindle
Type of work: 
i (n_i / n_o): 1 / 1
Attachement: 2x ER11
Coolant : -
Infos:-

0200-SC011-A00000-2S02

Maschine: Star Micronics
Typ: SB-20RG
Position, N°: Upper Gang Tool Post
Arbeit über: Hauptspindel
Arbeitstyp: 
i (n_i / n₀): 1 / 1
Befestigung: 2x ER11
Kühlmitte:l -
Infos:-

0200-SC011-A00000-2S02

Macchina: Star Micronics
Tipo: SB-20RG
Posizione, N°: Upper Gang Tool Post
Lavoro al: Mandrino principale
Tipo di lavoro: 
i (n_i / n_o): 1 / 1
Atacco: 2x ER11
Refrigerante: -
Informazioni: -