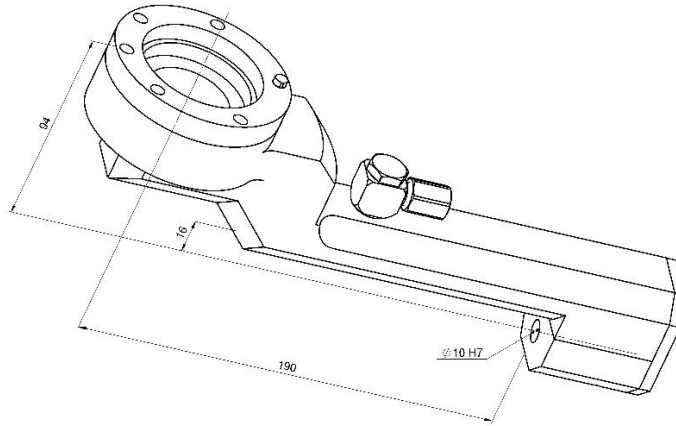


MEU107-M32

Machine: CITIZEN Cincom

Type: M532

Emplacement, N°: Axe B

Travail sur: Broche principale / Broche de reprise

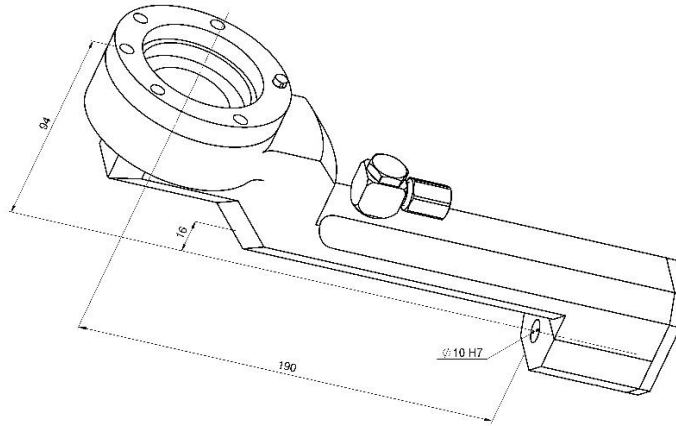
Type de travail: n_{max}: - [rpm]i (n_i / n_o): -

Attachement: Arbre Ø 10H7

Refroidissement interne

Pression maximale: 80 [bar]

Infos:

MEU107-M32

Machine: CITIZEN Cincom

Type: M532

Location, N°: Axe B

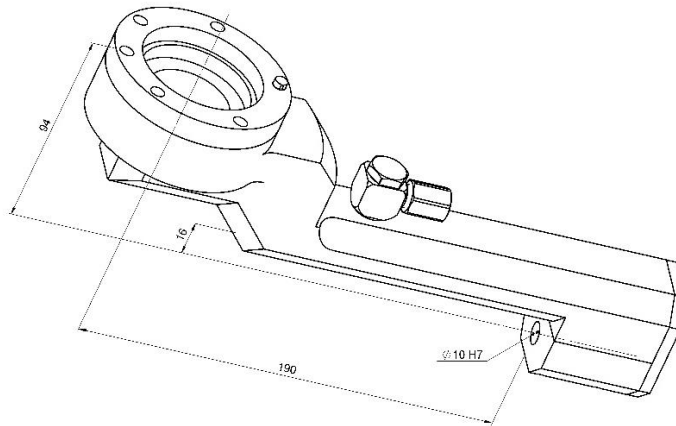
Work on: Main spindle / Back spindle

Type of work: n_{max}: - [rpm]i (n_i / n_o): -

Attachement: Arbor Ø 10H7

Internal coolant Maximum pressure: 80 [bar]

Infos:

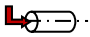
MEU107-M32

Machine: CITIZEN Cincom

Typ: M532

Position, N°: Axe B

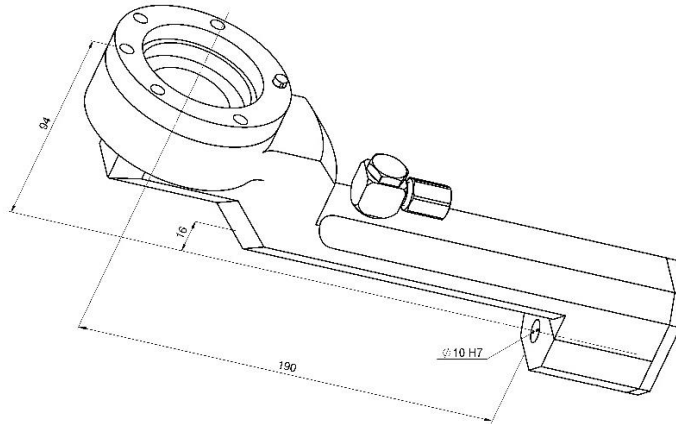
Arbeit über: Hauptspindel / Abgreifspindel

Arbeitstyp:  n_{max} : - [rpm] i (n_i / n_o): -Befestigung: Welle $\varnothing 10H7$

Inner Kühlmittel

Maximaler Druck: 80 [bar]

Infos:

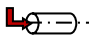
MEU107-M32

Macchina: CITIZEN Cincom

Tipo: M532

Posizione, N°: Axe B

Lavoro al: Mandrino principale / Contromandrino

Tipo di lavoro: n_{max}: - [rpm]i (n_i / n_o): -

Ataccamento: Albero Ø 10H7

Refrigerante interno

Pressione massima: 80 [bar]

Informazioni: