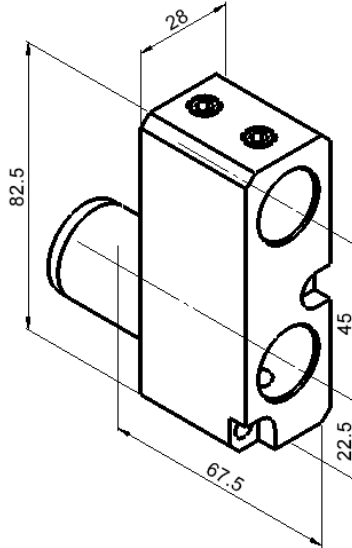

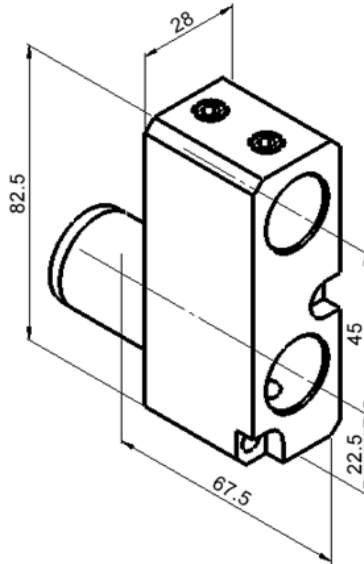
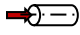
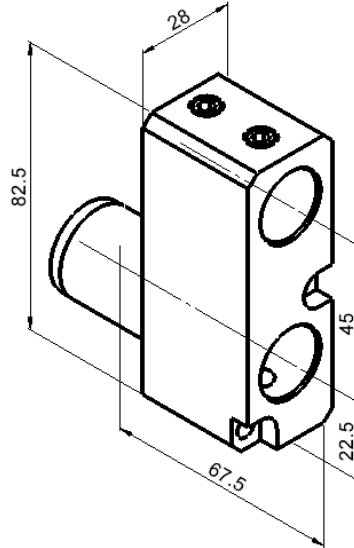


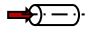
SAU919-2x

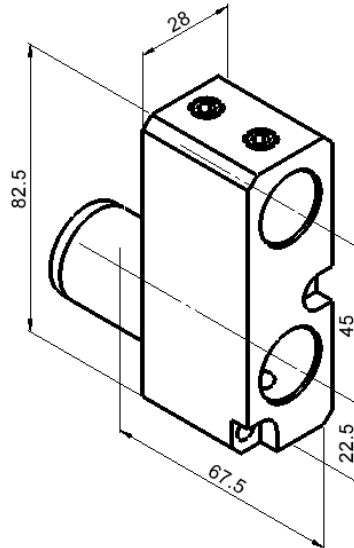
Machine: CITIZEN Cincom
Type: L12-2M10
Emplacement, N°: Opposite tool post
Travail sur: Broche de reprise
Type de travail: 
Attachement: 2x Ø19.05

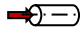
SAU919-2x

Machine: CITIZEN Cincom
Type: L12-2M10
Location, N°: Opposite tool post
Work on: Back spindle
Type of work: 
Attachement: 2x Ø19.05

SAU919-2x

Maschine: CITIZEN Cincom
Typ: L12-2M10
Position, N°: Opposite tool post
Arbeit über: Abgreifspindel
Arbeitstyp: 
Befestigung: 2x Ø19.05

SAU919-2x

Macchina: CITIZEN Cincom
Tipo: L12-2M10
Posizione, N°: Opposite tool post
Lavoro al: Contromandrino
Tipo di lavoro: 
Ataccamento: 2x Ø19.05