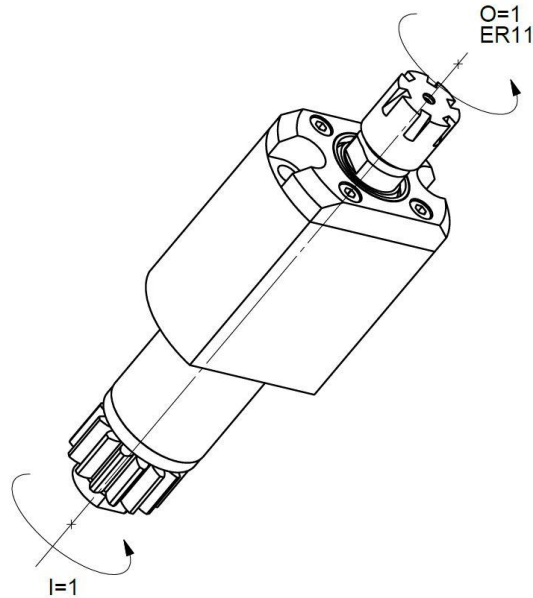
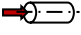
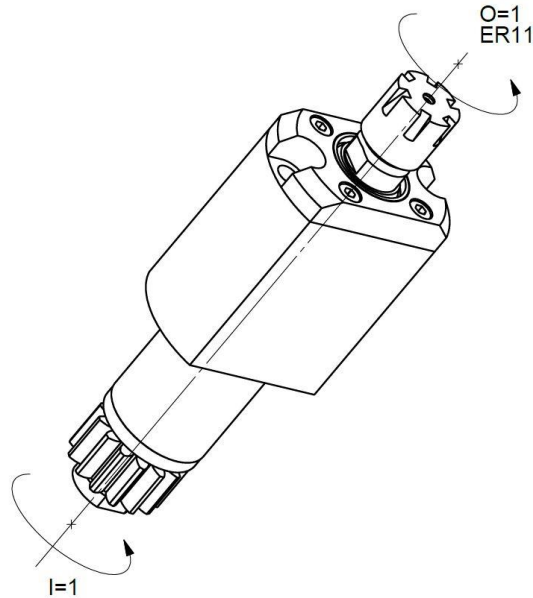


**GSE3407-HP**

Machine: CITIZEN Cincom  
Type: L20 IX/X  
Emplacement, N°: Bloc linéaire, U127B  
Travail sur: Broche principale  
Type de travail:   
n<sub>max</sub>: 3900 [rpm]  
i (n<sub>i</sub> / n<sub>o</sub>): 1/1  
Attachement: ER11  
Refroidissement interne  
Pression maximale: 150 [bar]  
Infos:

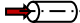
**GSE3407-HP**

Machine: CITIZEN Cincom

Type: L20 IX/X

Location, N°: Gangtool. U127B

Work on: Main spindle

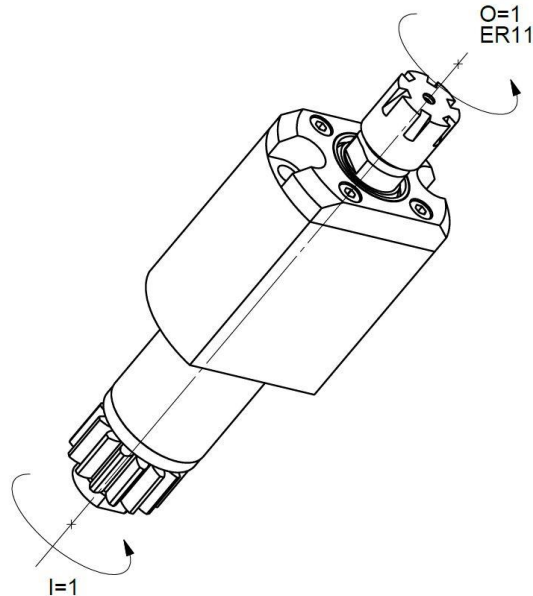
Type of work: n<sub>max</sub>: 3900 [rpm]i (n<sub>i</sub> / n<sub>o</sub>): 1/1

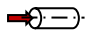
Attachement: ER11

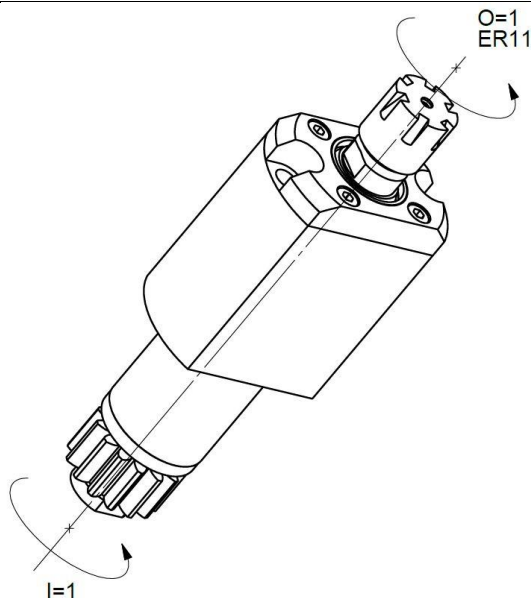
Internal coolant

Maximum pressure: 150 [bar]

Infos:

**GSE3407-HP**

Maschine: CITIZEN Cincom  
Typ: L20 IX/X  
Position, N°: Vertikalhalter, U127B  
Arbeit über: Hauptspindel  
Arbeitstyp:   
 $n_{max}$ : 3900 [rpm]  
 $i$  ( $n_i / n_o$ ): 1/1  
Befestigung: ER11  
Inner Kühlmittel  
Maximaler Druck: 150 [bar]  
Infos:

**GSE3407-HP**

Macchina: CITIZEN Cincom

Tipo: L20 IX/X

Posizione, N°: Slitta lineare, U127B

Lavoro al: Mandrino principale

Tipo di lavoro: n<sub>max</sub>: 3900 [rpm]i (n<sub>i</sub> / n<sub>o</sub>): 1/1

Atacco: ER11

Refrigerante interno

Pressione massima: 150 [bar]

Informazioni: