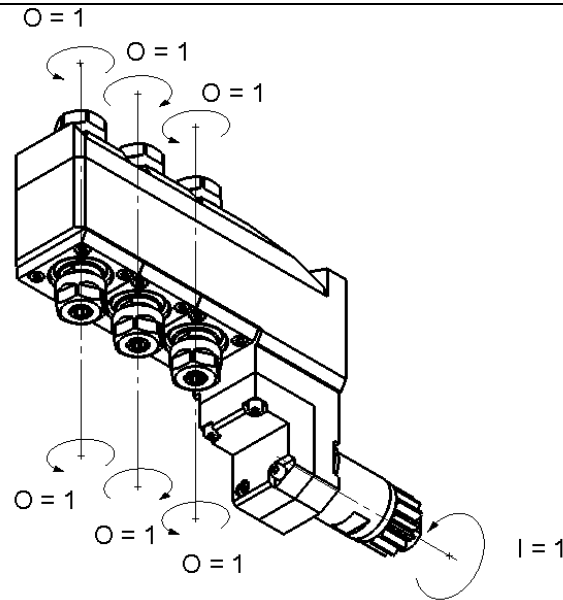
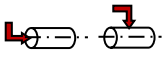
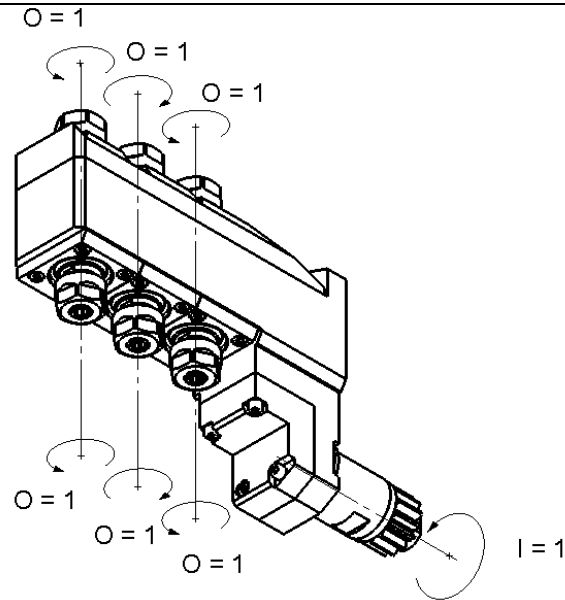
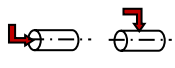


GSE4307

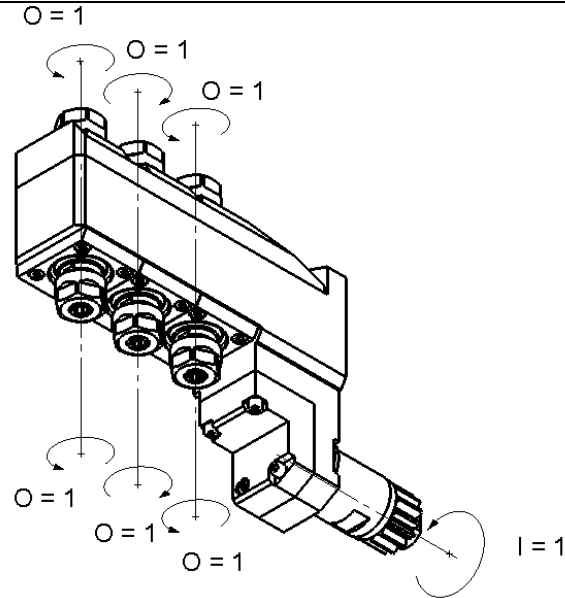
Machine: CITIZEN Cincom
Type: L212, L12-2M10
Emplacement, N°: T08-T10
Travail sur: Broche principale / Broche de reprise
Type de travail: 
n_{max}: 10'000 [rpm]
i (n_i / n_o): 1 / 1
Attachement: ER 11
Sans refroidissement
Infos: -

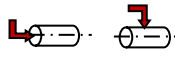
GSE4307

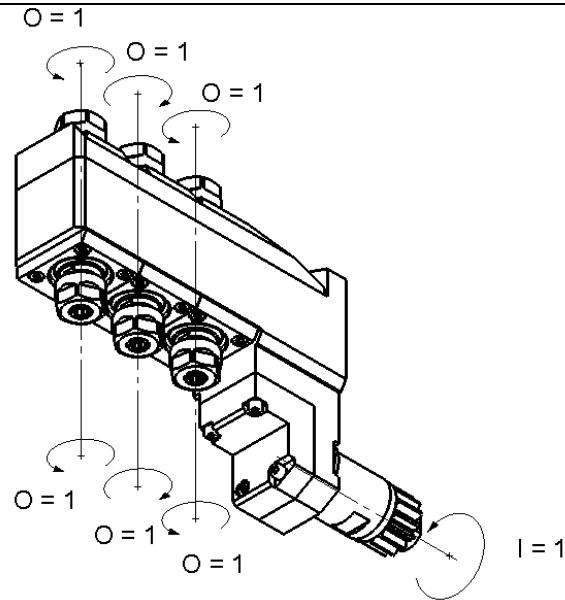


Machine: CITIZEN Cincom
 Type: L212, L12-2M10
 Location, N°: T08-T10
 Work on: Main spindle / Back spindle
 Type of work: 
 n_{max}: 10'000 [rpm]
 i (n_i / n_o): 1 / 1
 Attachement: ER 11
 Without coolant
 Infos:
 Denomination : -

GSE4307



Maschine: CITIZEN Cincom
 Typ: L212, L12-2M10
 Position, N°: T08-T10
 Arbeit über: Hauptspindel / Abgreifspindel
 Arbeitstyp: 
 n_{max} : 10'000 [rpm]
 $i (n_i / n_o)$: 1 / 1
 Befestigung: ER 11
 Ohne Kühlmittel
 Infos: -

GSE4307

Macchina: CITIZEN Cincom
Tipo: L212, L12-2M10
Posizione, N°: T08-T10
Lavoro al: Mandrino principale / Contromandrino
Tipo di lavoro: 
 n_{max} : 10'000 [rpm]
 $i (n_i / n_o)$: 1 / 1
Atacco: ER 11
Senza refrigerante
Informazioni: -