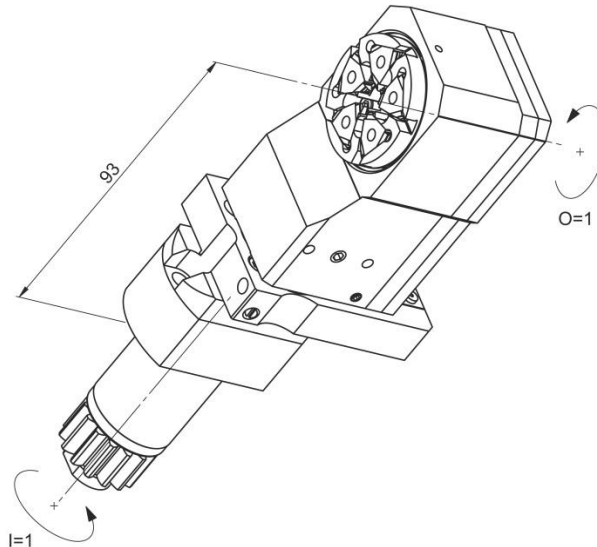


CITIZEN5-GSW-210

Machine: Citizen Cincom

Type: L12-VII

Emplacement, N°: Coulisse linéaire

Travail sur: Broche principale

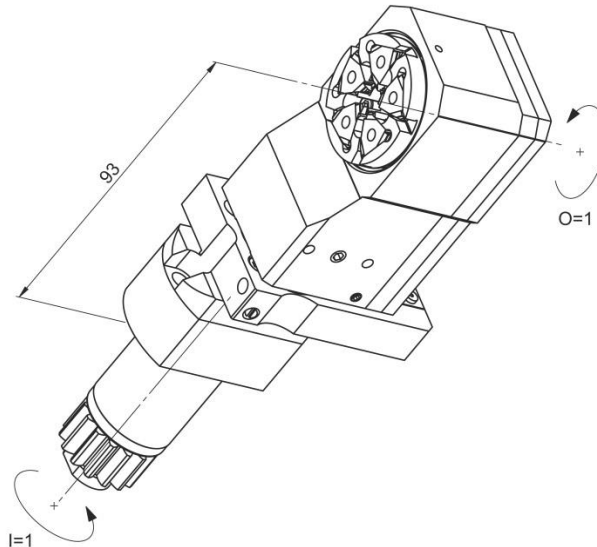
Type de travail:  n_{\max} : 8000 [rpm] $i (n_i / n_o)$: 1 / 1

Attachement: Autre

Sans refroidissement

Infos: Tête à tourbillonner $\varnothing 6 \alpha: 10^\circ$ interchangeable (GSW-210) monté sur la queue CITIZEN5-PCR.

CITIZEN5-GSW-210



Machine: Citizen Cincom

Type: L12-VII

Location, N°: Gangtool

Work on: Main spindle

Type of work: 

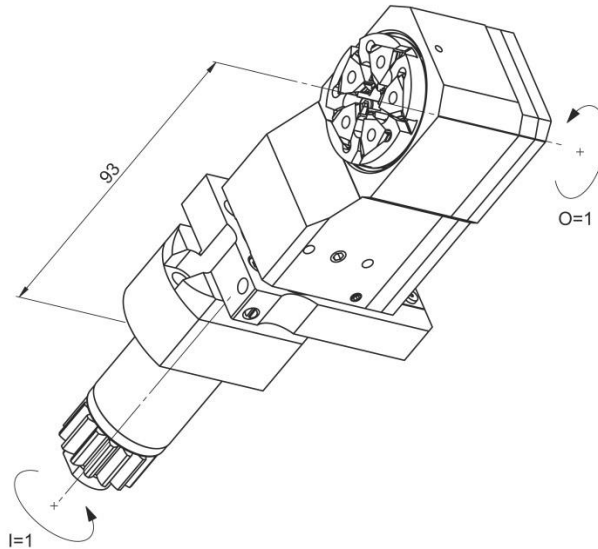
n_{max} : 8000 [rpm]

$i (n_i / n_o)$: 1 / 1

Attachement: Other

Without coolant

Infos: Whirling head $\varnothing 6 \alpha: 10^\circ$ exchangeable (GSW-210) mounted on the shank CITIZEN5-PCR.

CITIZEN5-GSW-210

Machine: Citizen Cincom

Typ: L12-VII

Position, N°: Vertikalhalter

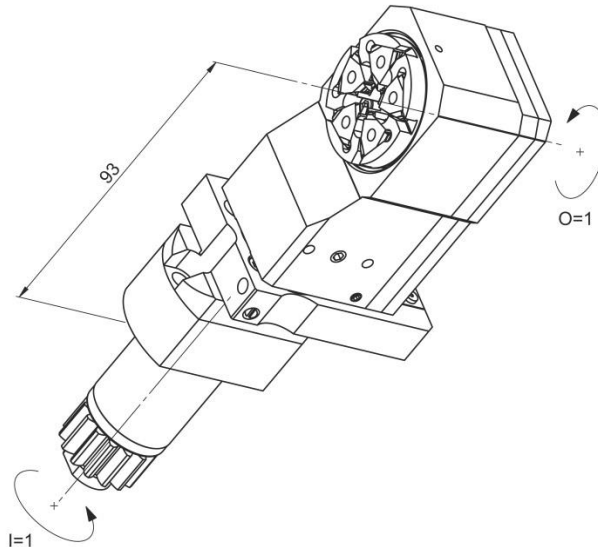
Arbeit über: Hauptspindel

Arbeitstyp:  n_{\max} : 8000 [rpm] $i (n_i / n_o)$: 1 / 1

Befestigung: Andere

Ohne Kühlmittel

Infos: Gewindewirbelkopf $\varnothing 6$ $\alpha: 10^\circ$ austauschbar (GSW-210) der auf den Schwanz CITIZEN5-PCR gehoben ist.

CITIZEN5-GSW-210

Macchina: Citizen Cincom
Tipo: L12-VII
Posizione, N°: Slitta lineare
Lavoro al: Mandrino principale

Tipo di lavoro: 

n_{max} : 8000 [rpm]

i (n_i / n_o): 1 / 1

Ataccamento: Altro

Senza refrigerante

Informazioni: Testa a turbinare $\varnothing 6 \alpha: 10^\circ$ intercambiabile (GSW-210) salita sulla coda CITIZEN5-PCR.