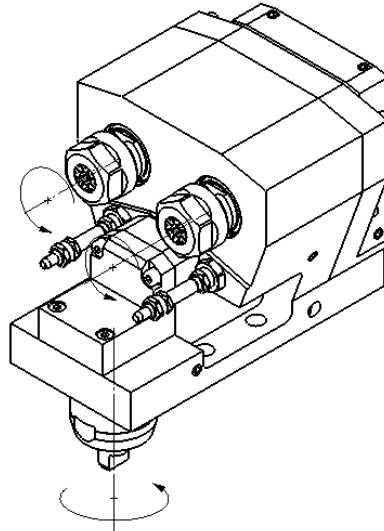
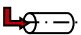
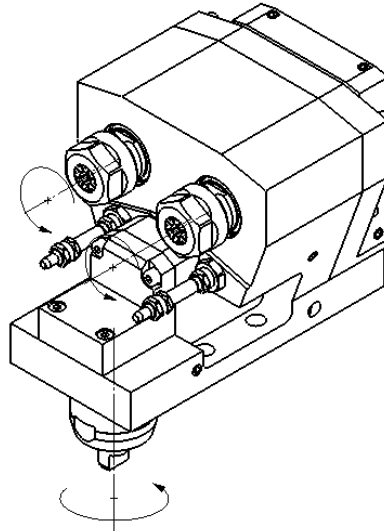
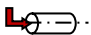
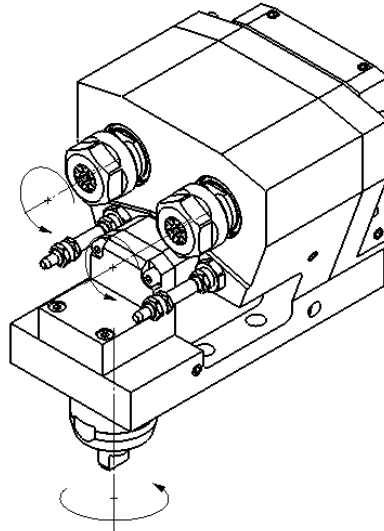


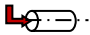
KSE510-2x-IK

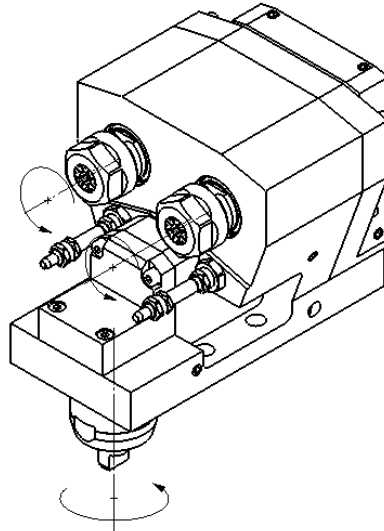
Machine: CITIZEN Cincom
Type: M532
Emplacement, N°: T20-T29 / T40-T49
Travail sur: Broche principale / Broche de reprise
Type de travail: 
n_{max}: 12'000 [rpm]
i (n_i / n_o): 1/2
Attachement: 2xER16
Refroidissement interne/externe
Infos:

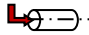
KSE510-2x-IK

Machine: CITIZEN Cincom
Type: M532
Location, N°: T20-T29 / T40-T49
Work on: Main spindle / Back spindle
Type of work: 
 n_{max} : 12'000 [rpm]
 i (n_i / n_o): 1/2
Attachement: 2xER16
Internal coolant / External coolant
Infos:

KSE510-2x-IK

Maschine: CITIZEN Cincom
Typ: M532
Position, N°: T20-T29 / T40-T49
Arbeit über: Hauptspindel / Abgreifspindel
Arbeitstyp: 
 n_{max} : 12'000 [rpm]
 i (n_i / n_o): 1/2
Befestigung: 2xER16
Inner Kühlmittel / Ausser Kühlmittel
Infos:

KSE510-2x-IK

Macchina: CITIZEN Cincom
Tipo: M532
Posizione, N°: T20-T29 / T40-T49
Lavoro al: Mandrino principale / Contromandrino
Tipo di lavoro: 
 n_{max} : 12'000 [rpm]
 i (n_i / n_o): 1/2
Atacco: 2xER16
Refrigerante interno / Refrigerante esterno
Informazioni: