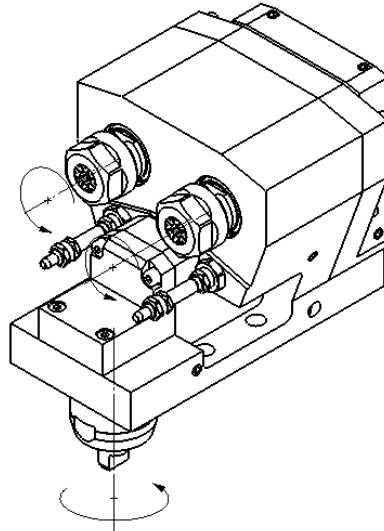


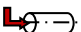
**KSE510-IK**

Machine: CITIZEN Cincom

Type: M532

Emplacement, N°: T20-T29 / T40-T49

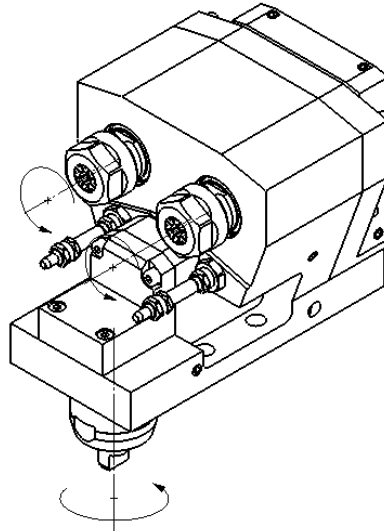
Travail sur: Broche principale / Broche de reprise

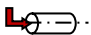
Type de travail: n<sub>max</sub>: 6'000 [rpm]i (n<sub>i</sub> / n<sub>o</sub>): 1/1

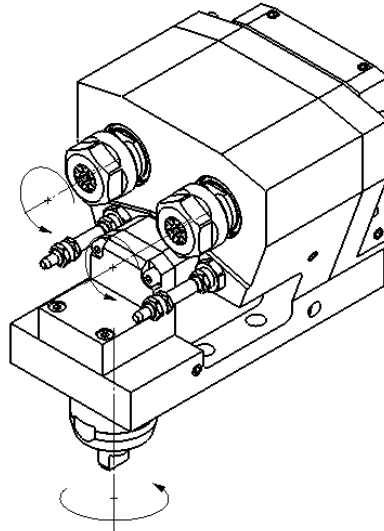
Attachement: 2xER16

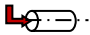
Refroidissement interne/externe

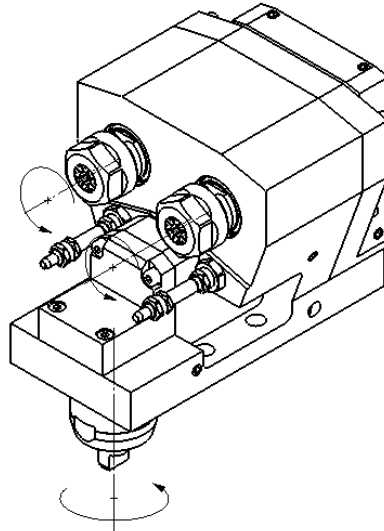
Infos:

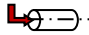
**KSE510-IK**

Machine: CITIZEN Cincom  
Type: M532  
Location, N°: T20-T29 / T40-T49  
Work on: Main spindle / Back spindle  
Type of work:   
 $n_{max}$ : 6'000 [rpm]  
 $i (n_i / n_o)$ : 1/1  
Attachement: 2xER16  
Internal coolant / External coolant  
Infos:

**KSE510-IK**

Maschine: CITIZEN Cincom  
Typ: M532  
Position, N°: T20-T29 / T40-T49  
Arbeit über: Hauptspindel / Abgreifspindel  
Arbeitstyp:   
 $n_{max}$ : 6'000 [rpm]  
 $i$  ( $n_i$  /  $n_o$ ): 1/1  
Befestigung: 2xER16  
Inner Kühlmittel / Ausser Kühlmittel  
Infos:

**KSE510-IK**

Macchina: CITIZEN Cincom  
Tipo: M532  
Posizione, N°: T20-T29 / T40-T49  
Lavoro al: Mandrino principale / Contromandrino  
Tipo di lavoro:   
 $n_{max}$ : 6'000 [rpm]  
 $i$  ( $n_i$  /  $n_o$ ): 1/1  
Atacco: 2xER16  
Refrigerante interno / Refrigerante esterno  
Informazioni: