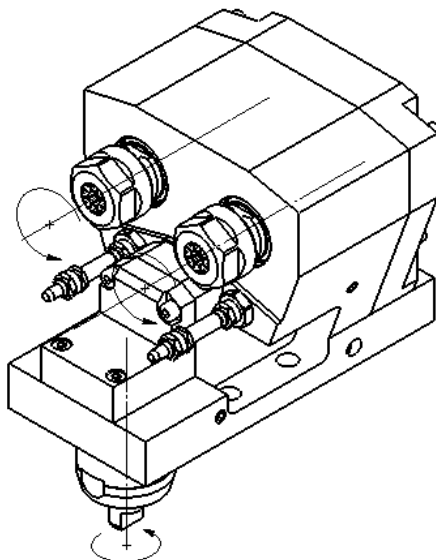
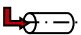
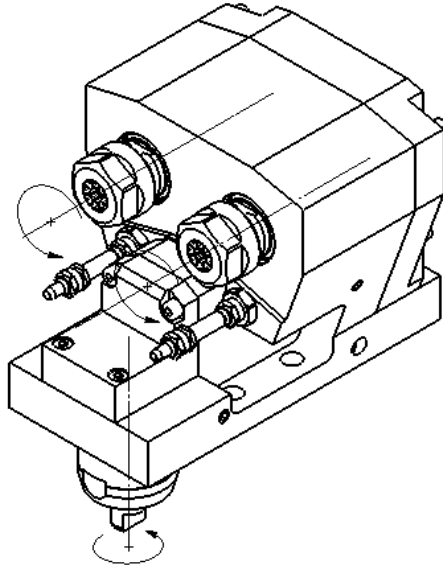
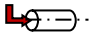
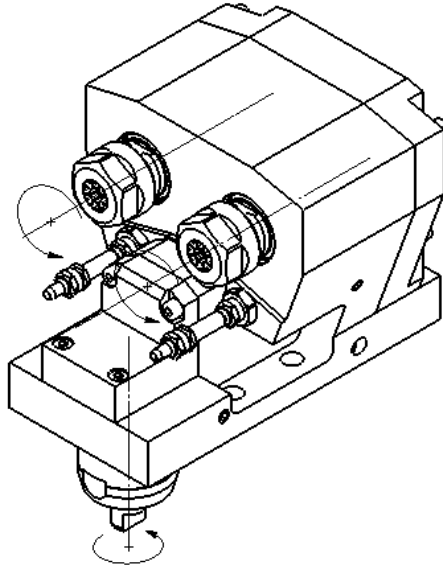


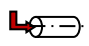
**KSE510-2x**

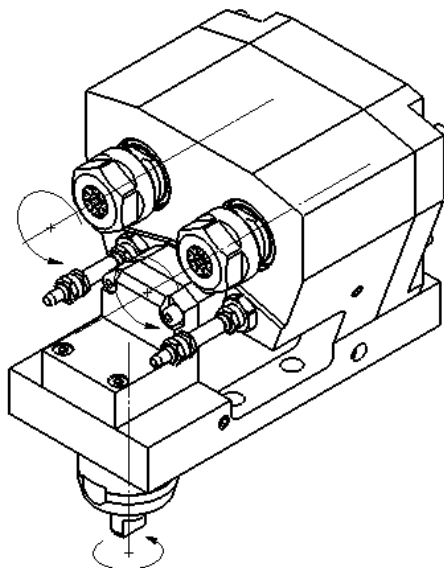
Machine: CITIZEN Cincom  
Type: M532  
Emplacement, N°: T20-T29 / T40-T49  
Travail sur: Broche principale / Broche de reprise  
Type de travail:   
n<sub>max</sub>: 12'000 [rpm]  
i (n<sub>i</sub> / n<sub>o</sub>): 1/2  
Attachement: 2xER16  
Refroidissement externe  
Infos:

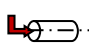
**KSE510-2x**

Machine: CITIZEN Cincom  
Type: M532  
Location, N°: T20-T29 / T40-T49  
Work on: Main spindle / Back spindle  
Type of work:   
 $n_{max}$ : 12'000 [rpm]  
 $i$  ( $n_i$  /  $n_o$ ): 1/2  
Attachement: 2xER16  
External coolant  
Infos:

**KSE510-2x**

Maschine: CITIZEN Cincom  
Typ: M532  
Position, N°: T20-T29 / T40-T49  
Arbeit über: Hauptspindel / Abgreifspindel  
Arbeitstyp:   
 $n_{max}$ : 12'000 [rpm]  
 $i$  ( $n_i$  /  $n_o$ ): 1/2  
Befestigung: 2xER16  
Ausser Kühlmittel  
Infos:

**KSE510-2x**

Macchina: CITIZEN Cincom  
Tipo: M532  
Posizione, N°: T20-T29 / T40-T49  
Lavoro al: Mandrino principale / Contromandrino  
Tipo di lavoro:   
 $n_{max}$ : 12'000 [rpm]  
 $i$  ( $n_i$  /  $n_o$ ): 1/2  
Atacco: 2xER16  
Refrigerante esterno  
Informazioni: