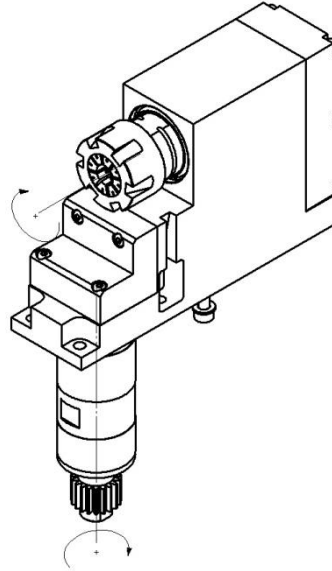


BW20-RSE-116M

Machine: Tsugami

Type: BW209

Emplacement, N°: Coulisse linéaire, T11/T12

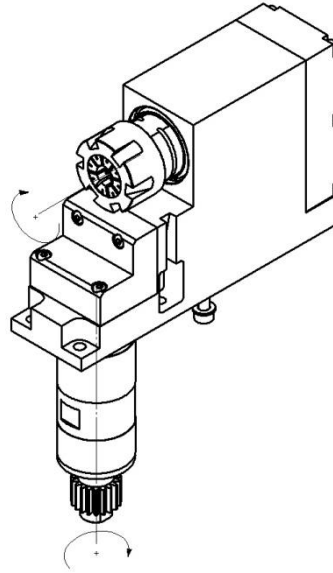
Travail sur: Broche principale

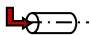
Type de travail:  n_{\max} : 6'000 [rpm] i (n_i / n_o): 1 / 1

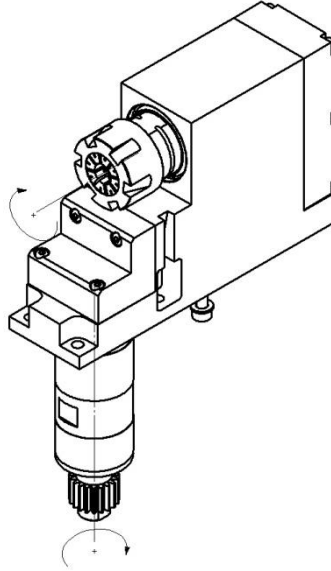
Attachement: ER 25

Sans refroidissement

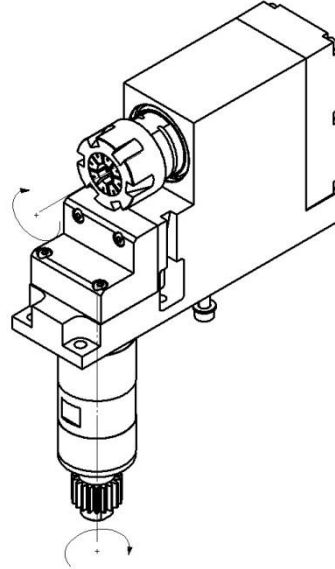
Infos:

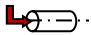
BW20-RSE-116M

Machine: Tsugami
Type: BW209
Location, N°: Gangtool, T11/T12
Work on: Main spindle
Type of work: 
 n_{max} : 6'000 [rpm]
 $i (n_i / n_o)$: 1 / 1
Attachement: ER 25
Without coolant
Infos:

BW20-RSE-116M

Maschine: Tsugami
Typ: BW209
Position, N°: Vertikalhalter, T11/T12
Arbeit über: Hauptspindel
Arbeitstyp: 
 n_{max} : 6'000 [rpm]
 $i (n_i / n_o)$: 1 / 1
Befestigung: ER 25
Ohne Kühlmittel
Infos:

BW20-RSE-116M

Macchina: Tsugami
Tipo: BW209
Posizione, N°: Slitta lineare, T11/T12
Lavoro al: Mandrino principale
Tipo di lavoro: 
 n_{max} : 6'000 [rpm]
 $i (n_i / n_o)$: 1 / 1
Ataccamento: ER 25
Senza refrigerante
Informazioni: