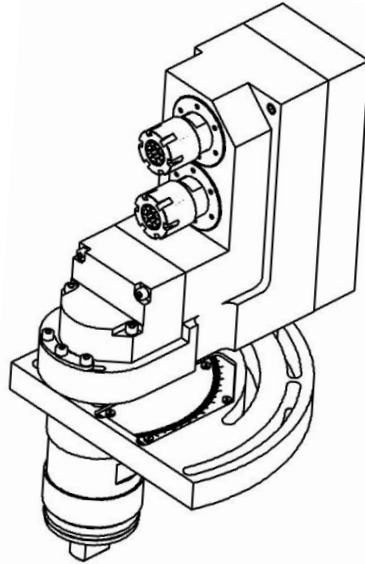
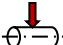

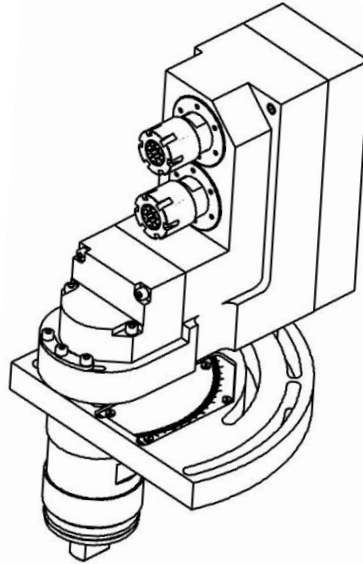
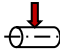
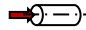
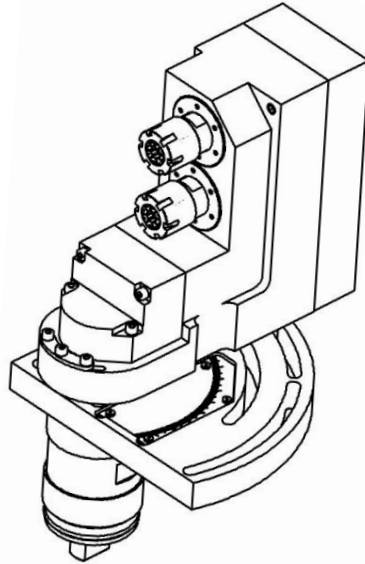


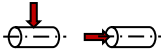
BO26-RSA-210M-3x

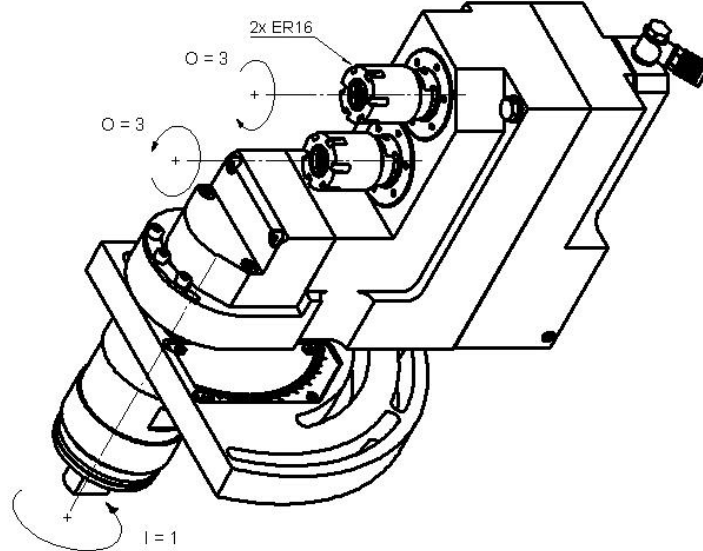
Machine: Tsugami
Type: BO26, BO32, BO38
Emplacement, N°: Coulisse linéaire, T11
Travail sur: Broche principale
Type de travail:  
 n_{max} : 18'000 [rpm]
 $i (n_i / n_o)$: 1 / 3
Attachement: ER 16
Arrosage interne : Sans
Infos:
- Inclinaison: 0..90°

BO26-RSA-210M-3x

Machine: Tsugami
Type: BO26, BO32, BO38
Location, N°: Gangtool, T11
Work on: Main spindle
Type of work:  
 n_{max} : 18'000 [rpm]
 $i (n_i / n_o)$: 1 / 3
Attachement: ER 16
Internal coolant : Without
Infos:
- Inclination : 0..90°

BO26-RSA-210M-3x

Maschine: Tsugami
Typ: BO26, BO32, BO38
Position, N°: Vertikalhalter, T11
Arbeit über: Hauptspindel
Arbeitstyp: 
 n_{max} : 18'000 [rpm]
 $i (n_i / n_o)$: 1 / 3
Befestigung: ER 16
Interne Kühlmit. : Ohne
Infos:
- Neigungswinkel: 0..90°

BO26-RSA-210M-3x

| | |
|--------------------|---|
| Macchina: | Tsugami |
| Tipo: | BO26, BO32, BO38 |
| Posizione, N°: | Slitta lineare, T11 |
| Lavoro al: | Mandrino principale |
| Tipo di lavoro: |  |
| n_{max} : | 18'000 [rpm] |
| $i (n_i / n_o)$: | 1 / 3 |
| Atacco: | ER 16 |
| Refrigerante int.: | Senza |
| Informazioni: | |
| | - Inclinazione: 0..90° |