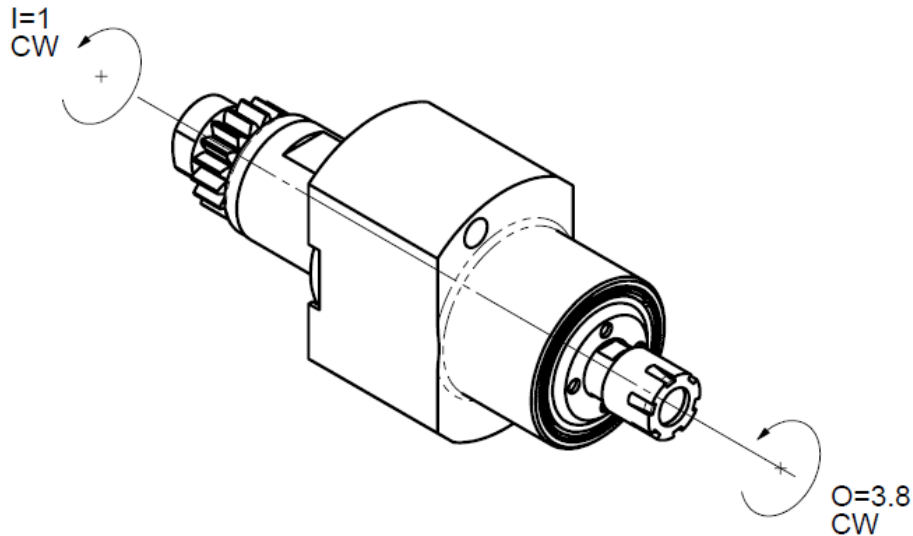


SB20-RSE05-4x

Machine: STAR MICRONICS

Type: ECAS-12/20, SB-12/20R, SR-10J, SR-20J/JN/SR-20RIII, SR-20RII,
SR-20RIV, SR32J/JN, SR32JII-A, SW-12RII

Emplacement, N°: T2100/T2200/T2300/T2400

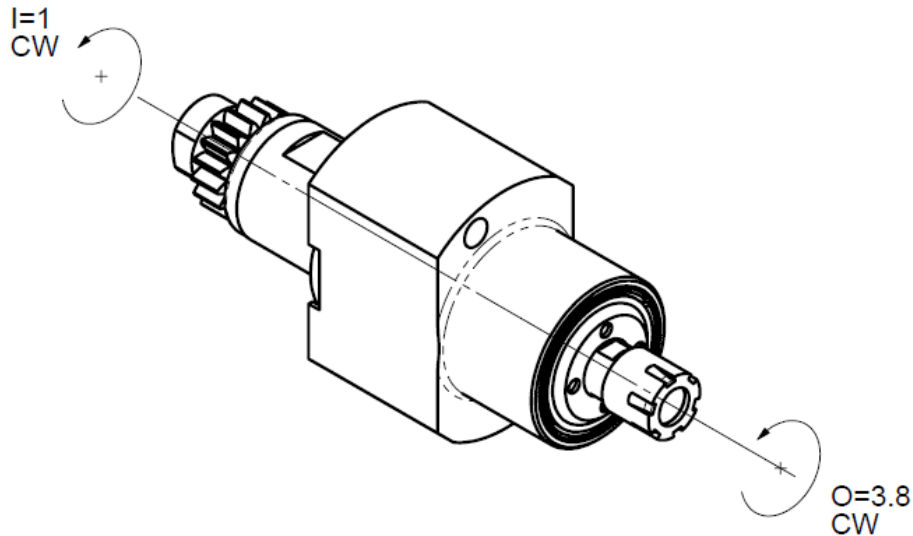
Travail sur: Broche de reprise


Type de travail:  n_{\max} : 30'400 [rpm] $i (n_i / n_o)$: 1 / 3.8

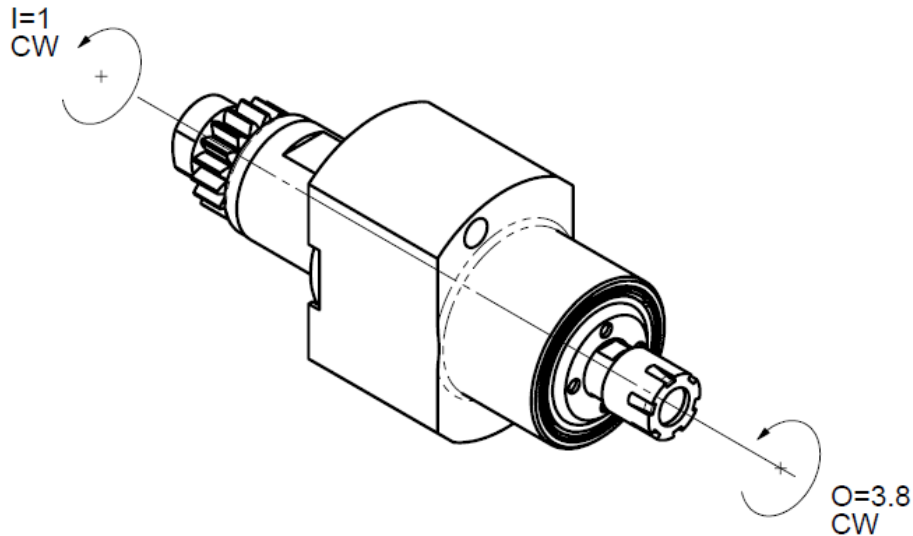
Attachement: ER08

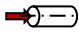
Infos:

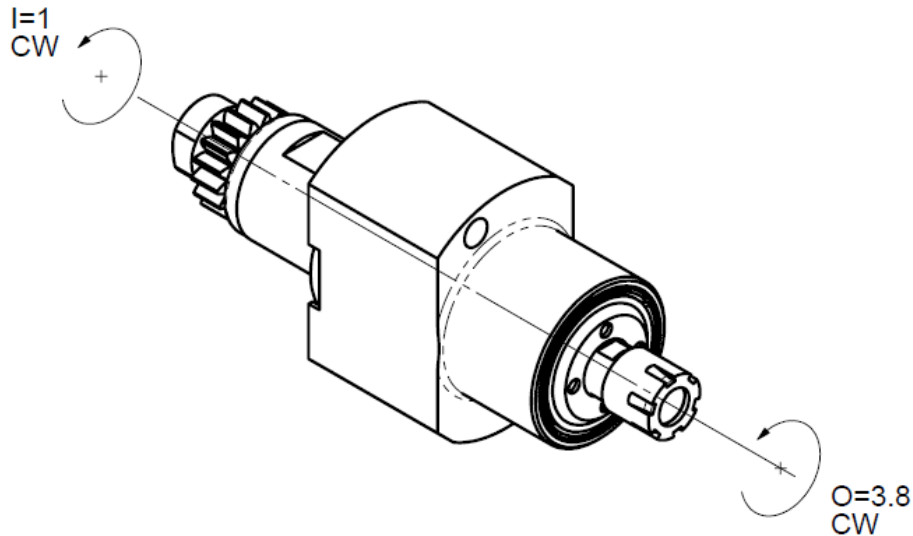
SB20-RSE05-4x



Machine:	STAR MICRONICS
Type:	ECAS-12/20, SB-12/20R, SR-10J, SR-20J/JN/SR-20RIII, SR-20RII, SR-20RIV, SR32J/JN, SR32JII-A, SW-12RII
Location, N°:	T2100/T2200/T2300/T2400
Work on:	Back spindle
Type of work:	
n_{max} :	30'400 [rpm]
$i (n_i / n_o)$:	1 / 3.8
Attachement:	ER08
Infos:	

SB20-RSE05-4x

Maschine:	STAR MICRONICS
Typ:	ECAS-12/20, SB-12/20R, SR-10J, SR-20J/JN/SR-20RIII, SR-20RII, SR-20RIV, SR32J/JN, SR32JII-A, SW-12RII
Position, N°:	T2100/T2200/T2300/T2400
Arbeit über:	Abgreifspindel
Arbeitstyp:	
n_{max} :	30'400 [rpm]
i (n_i / n_o):	1 / 3.8
Befestigung:	ER08
Infos:	


SB20-RSE05-4x

Macchina: STAR MICRONICS

Tipo: ECAS-12/20, SB-12/20R, SR-10J, SR-20J/JN/SR-20RIII, SR-20RII,
SR-20RIV, SR32J/JN, SR32JII-A, SW-12RII

Posizione, N°: T2100/T2200/T2300/T2400

Lavoro al: Contromandrino

Tipo di lavoro:  n_{max} : 30'400 [rpm] $i (n_i / n_o)$: 1 / 3.8

Atacco: ER08

Informazioni: