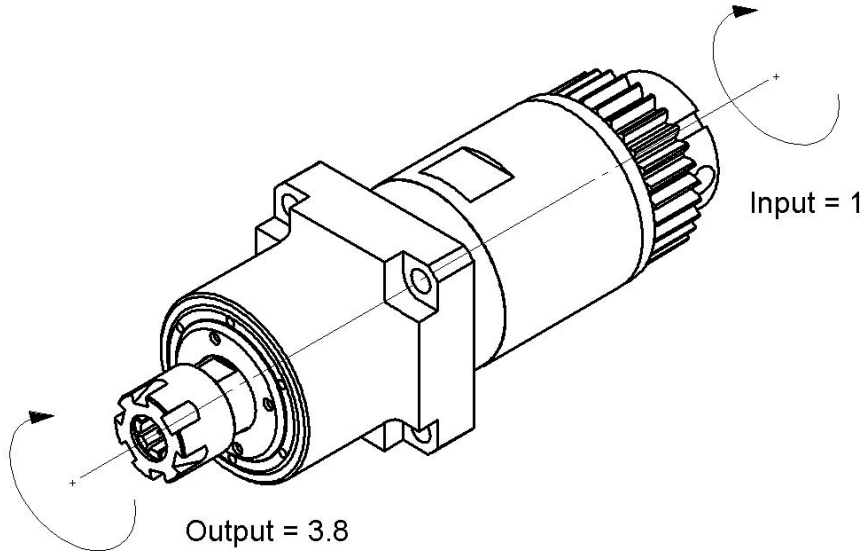


SB20-RSC07-3.8x

Machine: STAR MICRONICS

Type: SB12/16/20

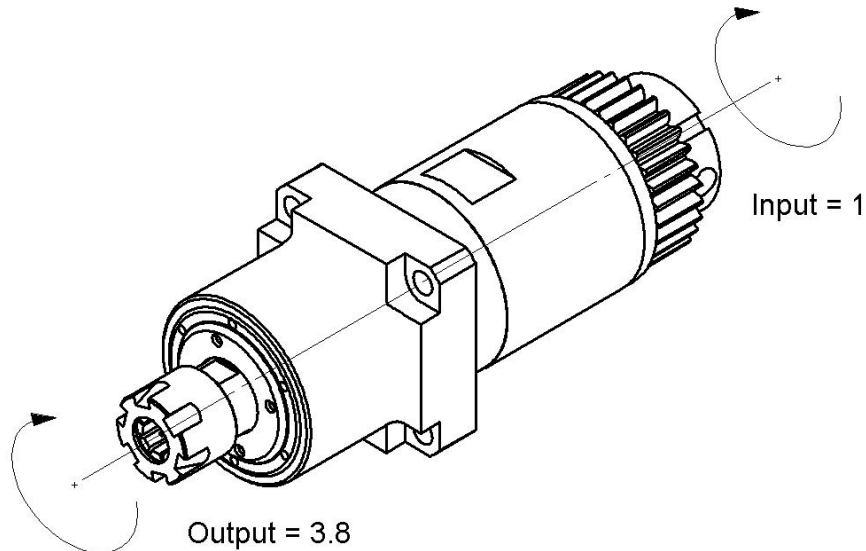
Emplacement, N°: T33/T34/T35

Travail sur: Broche principale

Type de travail:  n_{\max} : 22'800 [rpm] $i (n_i / n_o)$: 1 / 3.8

Attachement: ER11

Infos:

SB20-RSC07-3.8x

Machine: STAR MICRONICS

Type: SB12/16/20

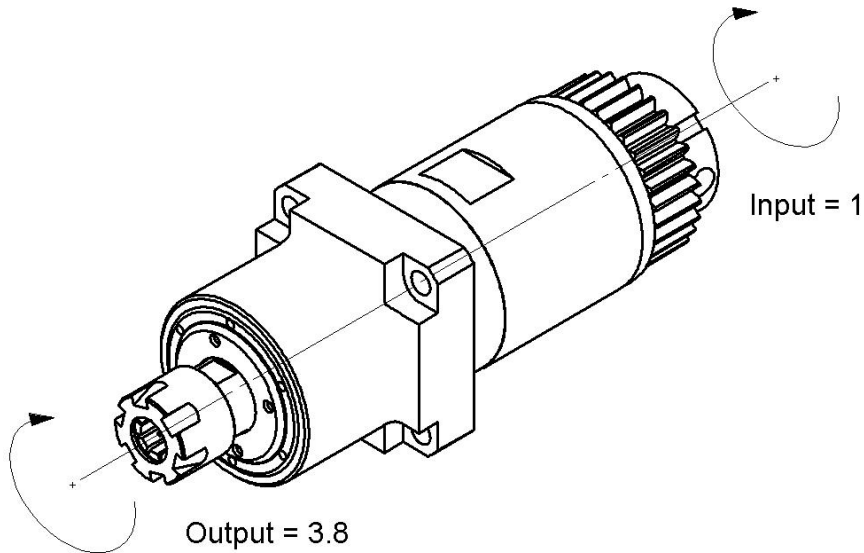
Location, N°: T33/T34/T35

Work on: Main spindle

Type of work:  n_{\max} : 22'800 [rpm] $i (n_i / n_o)$: 1 / 3.8

Attachement: ER11

Infos:

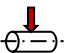
SB20-RSC07-3.8x

Machine: STAR MICRONICS

Typ: SB12/16/20

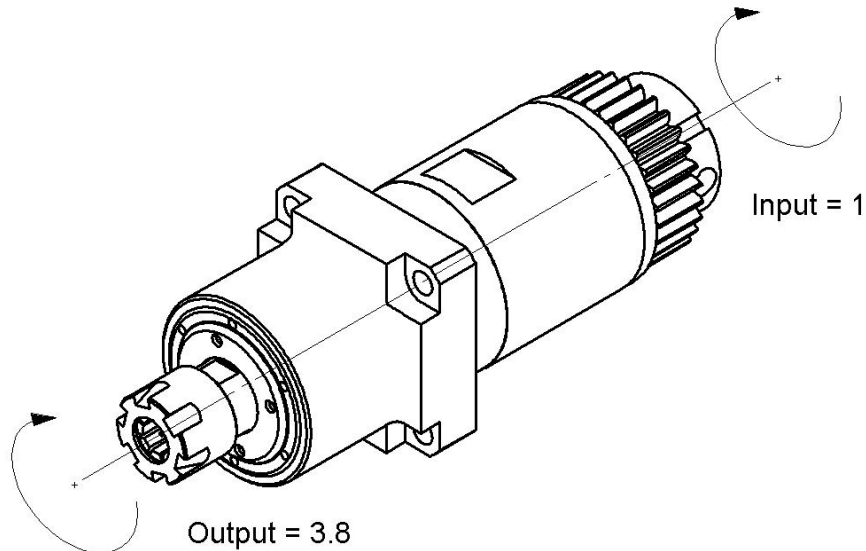
Position, N°: T33/T34/T35

Arbeit über: Hauptspindel

Arbeitstyp:  n_{\max} : 22'800 [rpm] $i (n_i / n_o)$: 1 / 3.8

Befestigung: ER11

Infos:

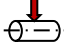
SB20-RSC07-3.8x

Macchina: STAR MICRONICS

Tipo: SB12/16/20

Posizione, N°: T33/T34/T35

Lavoro al: Mandrino principale

Tipo di lavoro:  n_{\max} : 22'800 [rpm] $i (n_i / n_o)$: 1 / 3.8

Ataccamento: ER11

Informazioni: