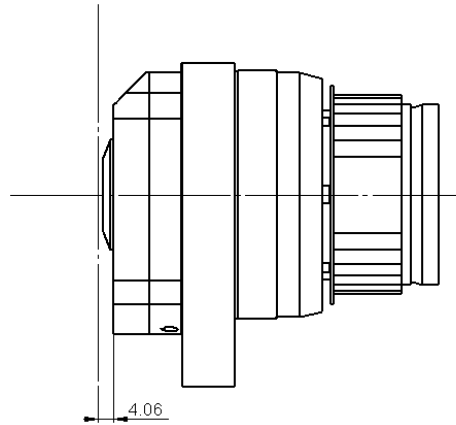
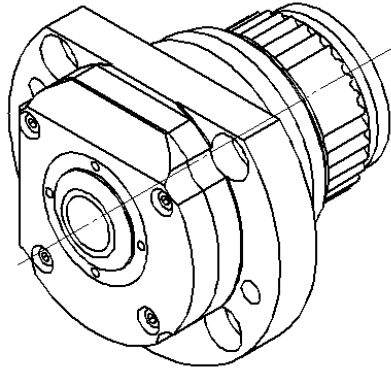


L12-876-872

Machine: CITIZEN Cincom

Type: L12-1M7

Emplacement, N°: Canon

Travail sur: -

Type de travail: -

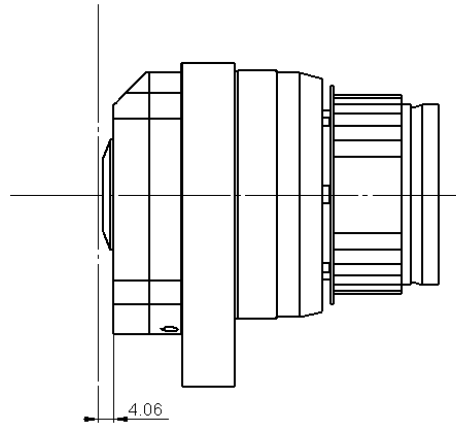
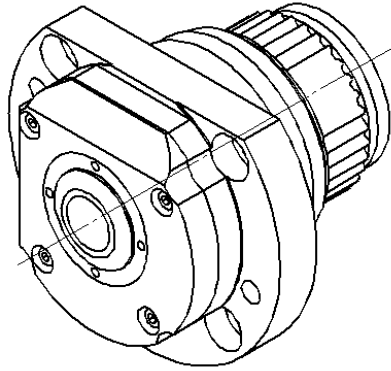
 n_{\max} : 15'000 [rpm] i (n_i / n_o): 1 / 1

Attachement: Autre

Sans refroidissement

Infos:

- Pince Wibemo 605
- $\varnothing_{\max} = 16$ mm

L12-876-872

Machine: CITIZEN Cincom

Type: L12-1M7

Location, N°: Main spindle

Work on: -

Type of work: -

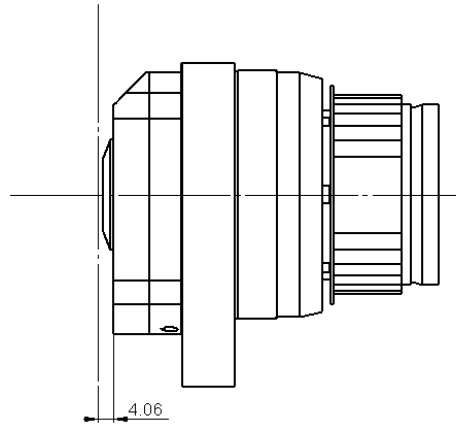
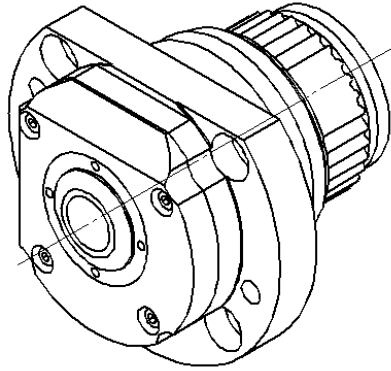
 n_{max} : 15'000 [rpm] i (n_i / n_o): 1 / 1

Attachement: Other

Without coolant

Infos:

- Guide bush Wibemo 605
- $\varnothing_{max} = 16$ mm

L12-876-872

Machine: CITIZEN Cincom

Typ: L12-1M7

Position, N°: Hauptspindel

Arbeit über: -

Arbeitstyp: -

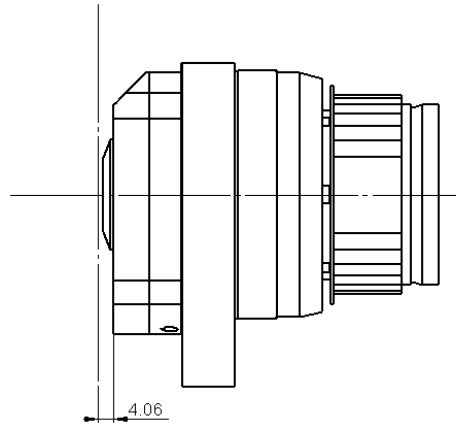
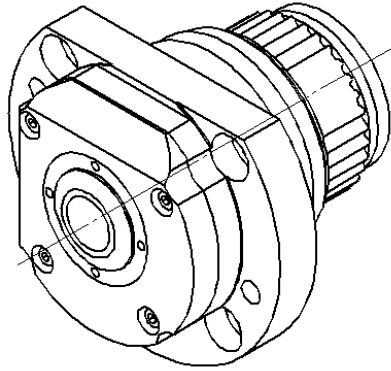
 n_{max} : 15'000 [rpm] i (n_i / n_o): 1 / 1

Befestigung: Andere

Ohne Kühlmittel

Infos:

- Führungsbüchse Wibemo 605
- $\varnothing_{max} = 16$ mm

L12-876-872

Macchina: CITIZEN Cincom
Tipo: L12-1M7
Posizione, N°: Mandrino principale
Lavoro al: -
Tipo di lavoro: -
 n_{max} : 15'000 [rpm]
 i (n_i / n_o): 1 / 1
Ataccamento: Altro

Senza refrigerante

Informazioni:

- Bussole di guida Wibemo 605
- $\varnothing_{max} = 16$ mm