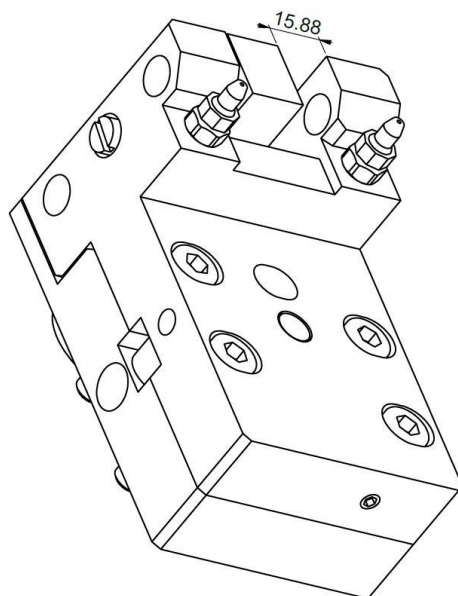
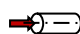
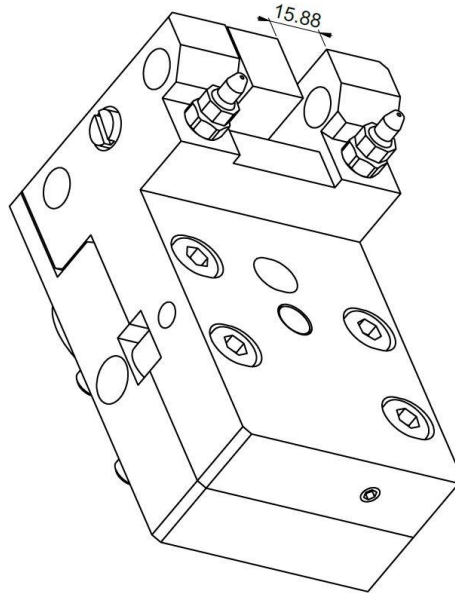
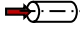
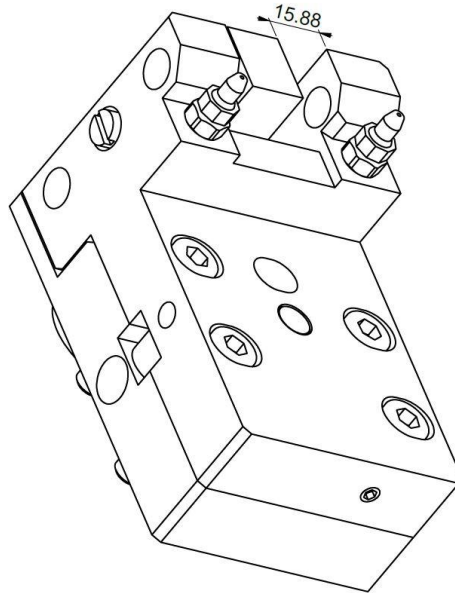


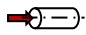
**778-CTF-116-R-AR-HP**

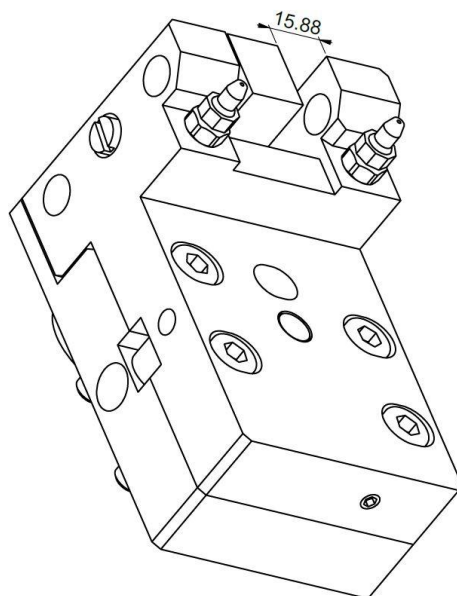
Machine: CITIZEN Cincom  
Type: M20 / M32  
Emplacement, N°: Tourelle  
Travail sur: Broche principale / Broche de reprise  
Type de travail:   
n<sub>max</sub>: - [rpm]  
i (n<sub>i</sub> / n<sub>o</sub>): -  
Attachement: Burin 16x50  
Refroidissement : Externe  
Pression maximale: 150 [bar]  
Infos:

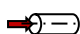
**778-CTF-116-R-AR-HP**

Machine: CITIZEN Cincom  
Type: M20 / M32  
Location, N°: Turret  
Work on: Main spindle / Back spindle  
Type of work:   
n<sub>max</sub>: - [rpm]  
i (n<sub>i</sub> / n<sub>o</sub>): -  
Attachement: Burin 16x50  
Coolant : External  
Maximum pressure: 150 [bar]  
Infos:

**778-CTF-116-R-AR-HP**

Maschine: CITIZEN Cincom  
Typ: M20 / M32  
Position, N°: Revolver  
Arbeit über: Hauptspindel / Abgreifspindel  
Arbeitstyp:   
n<sub>max</sub>: - [rpm]  
i (n<sub>i</sub> / n<sub>o</sub>): -  
Befestigung: Burin 16x50  
Kühlmittel: Ausser  
Maximaler Druck: 150 [bar]  
Infos:

**778-CTF-116-R-AR-HP**

Macchina:	CITIZEN Cincom
Tipo:	M20 / M32
Posizione, N°:	Toretta
Lavoro al:	Mandrino principale / Contromandrino
Tipo di lavoro:	
$n_{max}$ :	- [rpm]
$i$ ( $n_i$ / $n_o$ ):	-
Ataccamento:	Burin 16x50
Refrigerante	Esterno
Pressione massima:	150 [bar]
Informazioni:	