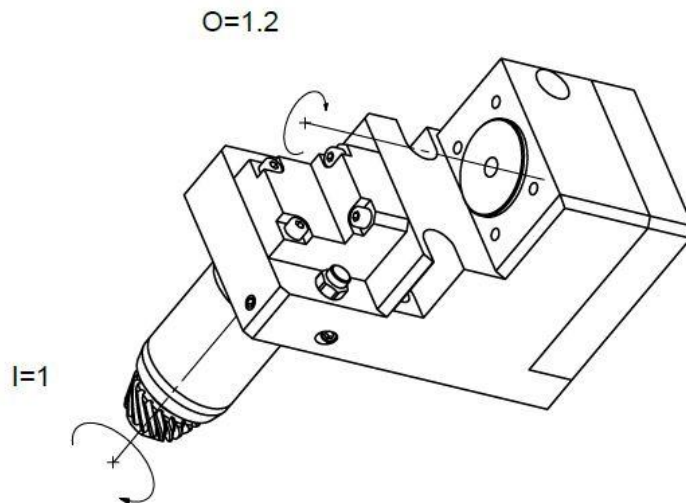


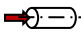
KSE150

Machine: CITIZEN Cincom

Type: M220/232

Emplacement, N°: Tourelle

Travail sur: Broche principale / Broche de reprise

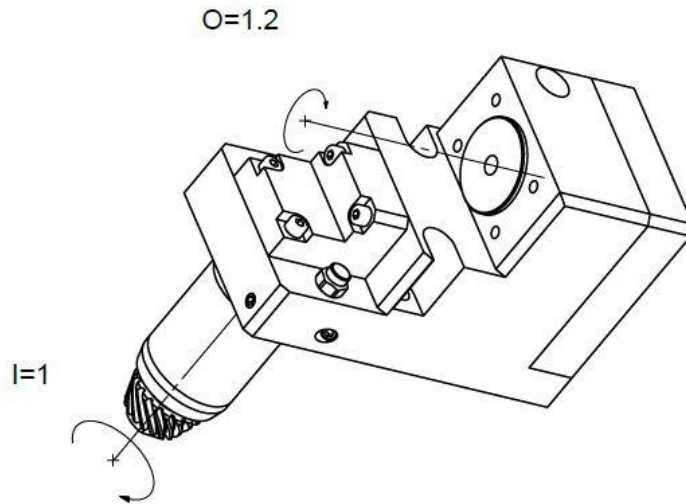
Type de travail: n_{max}: 6000 [rpm]i (n_i / n_o): 18/22

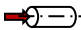
Attachement: Ø31

Refroidissement externe

Infos:

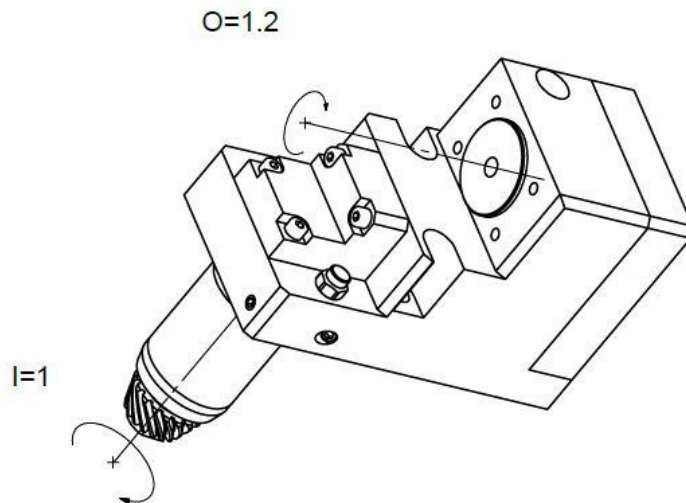
Utilisation avec GSC-1110 et GSC-1110-4x, adapté pour la tourelle

KSE150

Machine: CITIZEN Cincom
Type: M220/232
Location, N°: Turret
Work on: Main spindle / Back spindle
Type of work: 
n_{max}: 6'000 [rpm]
i (n_i / n_o): 18/22
Attachement: Ø31

External coolant

Infos:
Use with GSC-1110 and GSC-1110-4x, suitable for turret

KSE150

Machine: CITIZEN Cincom

Typ: M220/232

Position, N°: Revolver

Arbeit über: Hauptspindel / Abgreifspindel

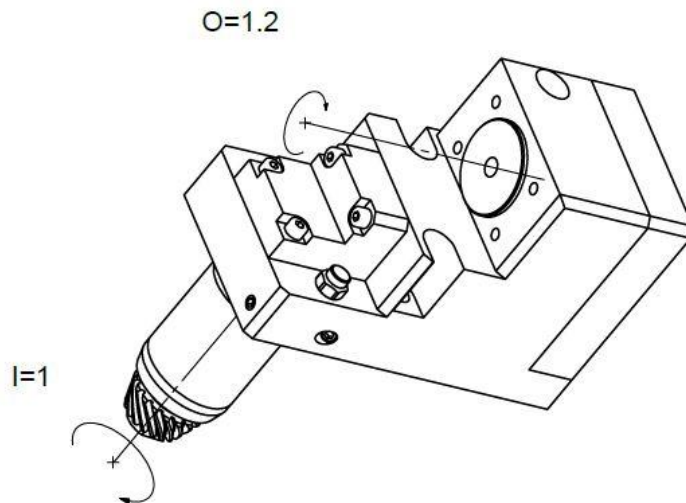
Arbeitstyp: n_{max}: 6'000 [rpm]i (n_i / n_o): 18/22

Befestigung: Ø31

Ausser Kühlmittel

Infos:

Für GSC-1110 und GSC-1110-4x, Unterstützung zum Revolver

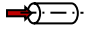
KSE150

Macchina: CITIZEN Cincom

Tipo: M220/232

Posizione, N°: Toretta

Lavoro al: Mandrino principale / Contromandrino

Tipo di lavoro:  n_{max} : 6'000 [rpm]i (n_i / n_o): 18/22

Atacco: Ø31

Refrigerante esterno

Informazioni:

Utilizzazione con GSC-1110 e GSC-1110-4x, adattato per la torretta