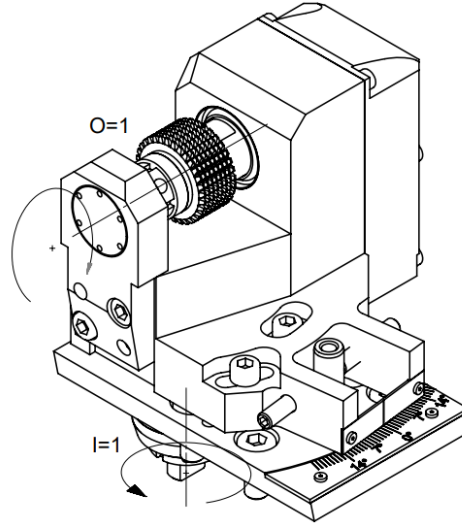


MSH432-22-13

Machine: CITIZEN Cincom

Type: M32-5M5/M32-5M7/M32-5M8

Emplacement, N°: Tourelle

Travail sur: Broche principale

Type de travail: i (n_i / n_o): 1 / 1

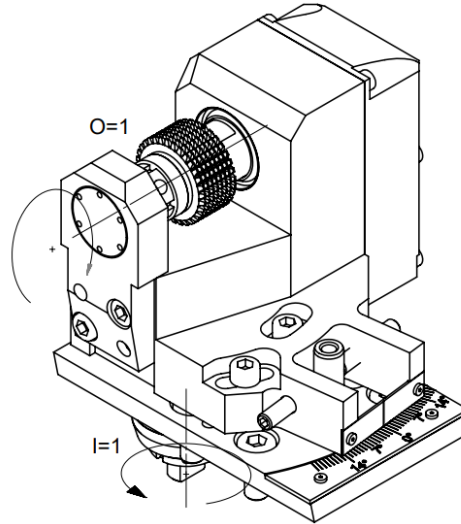
Attachement: Arbre Ø13 mm

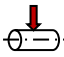
Sans refroidissement

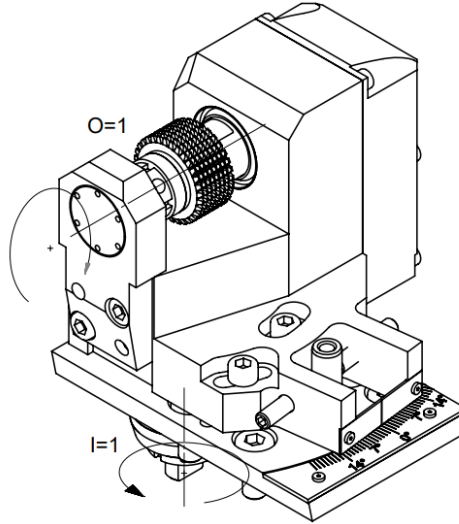
Infos: inclinable ± 22°

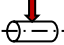
Ø de la fraise :32mm

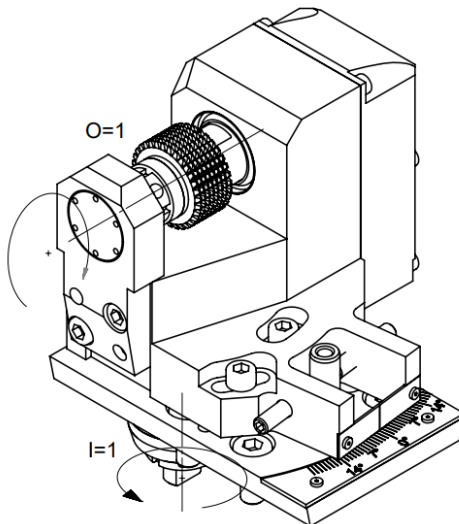
Epaisseur de la fraise :20-30mm

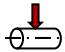
MSH432-22-13

Machine: CITIZEN Cincom
Type: M32-5M5/M32-5M7/M32-5M8
Location, N°: Turret
Work on: Main spindle
Type of work: 
i (n_i / n_o): 1 / 1
Attachement: Shaft Ø13 mm
Whitout coolant
Infos: possible inclination ± 22°
Diameter of the mill : Ø 32mm
Width of mill cutter : 20-30mm

MSH432-22-13

Maschine: CITIZEN Cincom
Typ: M32-5M5/M32-5M7/M32-5M8
Position, N°: Revolver
Arbeit über: Hauptspindel
Arbeitstyp: 
i (n_i / n_o): 1 / 1
Befestigung: Schaft Ø13 mm
Ohne Kühlmittel
Infos: Neigung ± 22°
Fräserdurchmesser : Ø 32mm
Breite des Fräasers : 20-30mm

MSH432-22-13

Macchina: CITIZEN Cincom
Tipo: M32-5M5/M32-5M7/M32-5M8
Posizione, N°: Toretta
Lavoro al: Mandrino principale
Tipo di lavoro: 
i (n_i / n_o): 1 / 1
Ataccamento: Codolo Ø13 mm
Senza refrigerante
Informazioni: inclinazione ± 22°
Diametro della fresa: Ø 32 mm
Larghezza della fresa: 20-30 mm