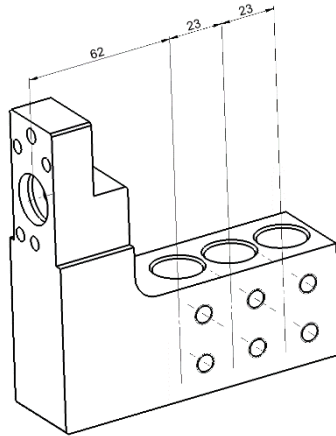


**GDF1302**

Machine: CITIZEN

Type: L212

Emplacement, N° : T12-T13

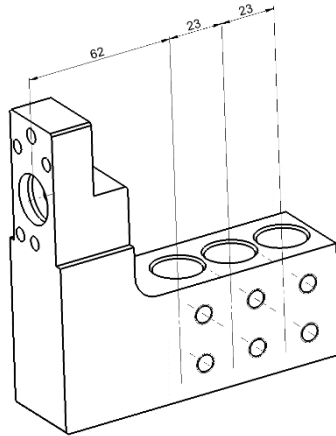
Travail sur : Broche principale

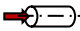
Type de travail: n<sub>max</sub>:i (n<sub>i</sub> / n<sub>o</sub>):

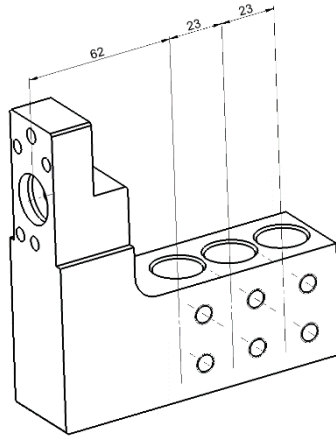
Attachement: 3x Ø19.05 mm

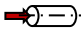
Sans refroidissement

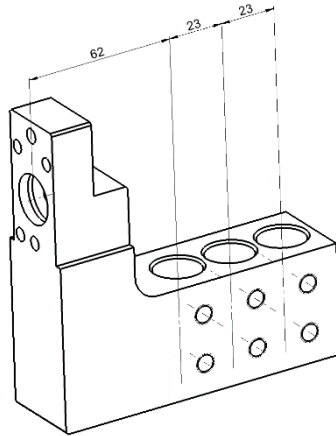
Infos:

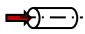
**GDF1302**

Machine: CITIZEN  
Type: L212  
Location, N° : T12-T13  
Work on: Main spindle  
Type of work:   
 $n_{max}$ :  
 $i$  ( $n_i / n_o$ ):  
Attachement: 3x Ø19.05 mm  
Without coolant  
Infos:

**GDF1302**

Maschine: CITIZEN  
Typ: L212  
Position, N° : T12-T13  
Arbeit über: Hauptspindel  
Arbeitstyp:   
n<sub>max</sub>:  
i (n<sub>i</sub> / n<sub>0</sub>):  
Befestigung: 3x Ø19.05 mm  
Ohne Kühlmittel  
Infos:

**GDF1302**

Macchina: CITIZEN  
Typo: L212  
Posizione, N°: T12-T13  
Lavoro al: Mandrino principale  
Tipo di lavoro:   
 $n_{max}$ :  
 $i$  ( $n_i / n_o$ ):  
Atacco: 3x Ø19.05 mm  
Senza refrigerante  
Informazioni: