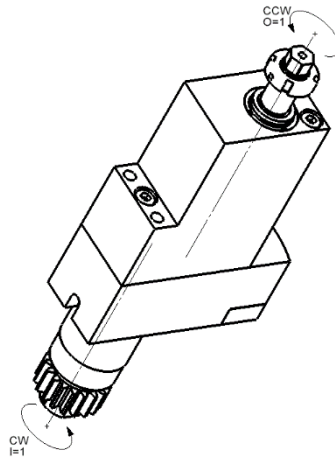
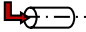
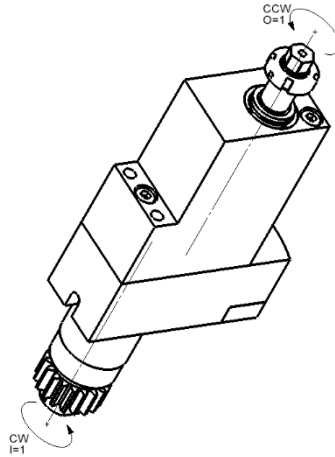


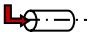
GSS1235-DEC



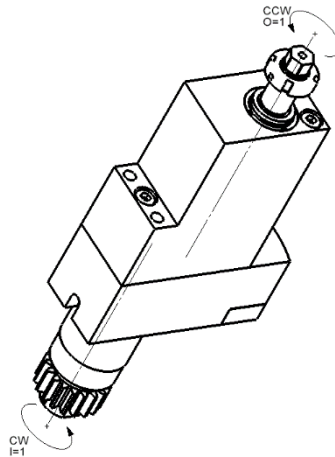
Machine: CITIZEN
Type: L20-2M10
Emplacement, N°: Upper gang tool post
Travail sur: Broche principale
Type de travail: 
i (n_i / n_o): 1 / 1
Attachement: Arbre Ø 12.7 mm
Sans refroidissement
Infos:
Scie Ø50 max, épaisseur 15.5 mm

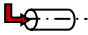
GSS1235-DEC



Machine: CITIZEN
Type: L20-2M10
Location, N°: Upper gang tool post
Work on: Main spindle
Type of work: 
i (n_i / n_o): 1 / 1
Attachement: Arbor Ø 12.7 mm
Without coolant
Infos:
Saw Ø50 max, thickness: 15.5 mm.

GSS1235-DEC



Maschine: CITIZEN
Typ: L20-2M10
Position, N°: Upper gang tool post
Arbeit über: Hauptspindel
Arbeitstyp: 
i (n_i / n_o): 1 / 1
Befestigung: Welle Ø 12.7

Ohne Kühlmittel

Infos:

Säge Ø50 mm, Dicke: 15.5 mm.