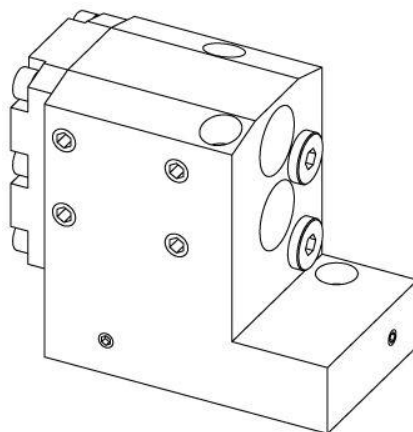
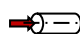
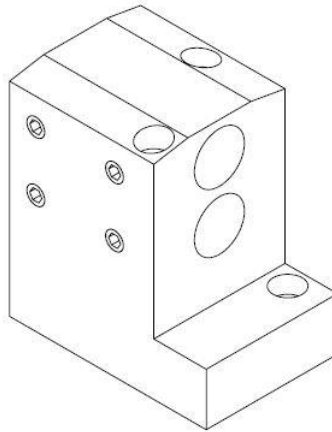
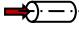
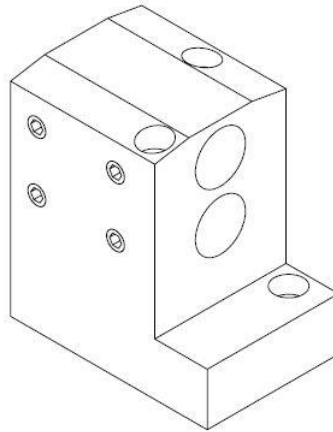


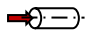
VDF401-HP

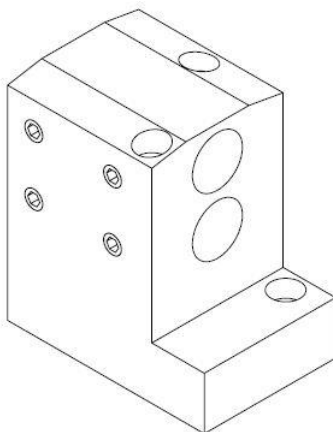
Machine: CITIZEN Cincom
Type: M12/M16
Emplacement, N°: Tourelle
Travail sur: Broche principale / Broche de reprise
Type de travail: 
n_{max}: - [rpm]
i (n_i / n_o): -
Attachement: Arbre 2xØ19.05
Refroidissement : Interne et externe
Pression maximale: 150 [bar]
Infos:

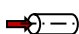
VDF401-HP

Machine: CITIZEN Cincom
Type: M12/M16
Location, N°: Turret
Work on: Main spindle / Back spindle
Type of work: 
n_{max}: - [rpm]
i (n_i / n_o): -
Attachement: Shaft 2xØ19.05
Coolant : Internal and External
Maximum pressure: 150 [bar]
Infos:

VDF401-HP

Maschine: CITIZEN Cincom
Typ: M12/M16
Position, N°: Revolver
Arbeit über: Hauptspindel / Abgreifspindel
Arbeitstyp: 
n_{max}: - [rpm]
i (n_i / n_o): -
Befestigung: Welle 2xØ19.05
Kühlmittel: Inner und Aussen
Maximaler Druck: 150 [bar]
Infos:

VDF401-HP

Macchina: CITIZEN Cincom
Tipo: M12/M16
Posizione, N°: Toretta
Lavoro al: Mandrino principale / Contromandrino
Tipo di lavoro: 
n_{max}: - [rpm]
i (n_i / n_o): -
Ataccamento: Albero 2xØ19.05
Refrigerante Dentro e fuori
Pressione massima: 150 [bar]
Informazioni: