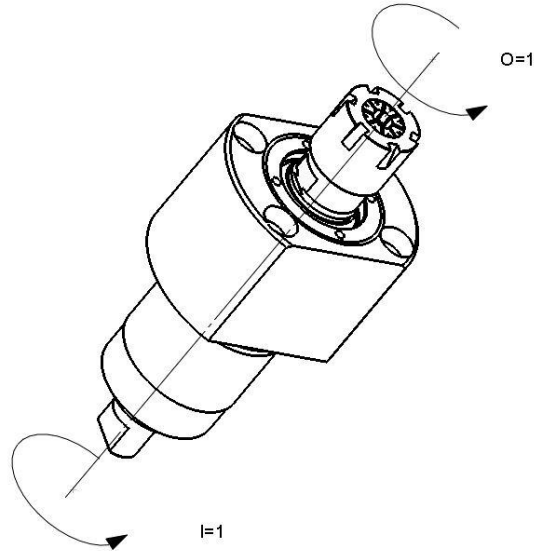


BO7-GSC-110

Machine: TSUGAMI

Type: B0206-III

Emplacement, N°: Coulisse linéaire, T01

Travail sur: Broche principale

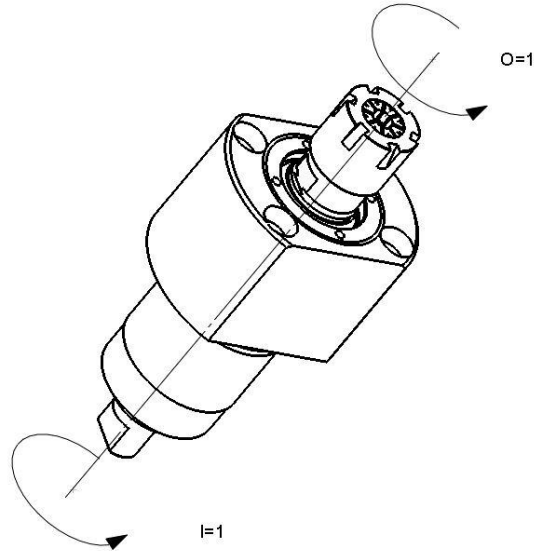
Type de travail:  n_{\max} : 8'000 [rpm] i (n_i / n_o): 1 / 1

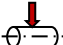
Attachement: ER16

Sans refroidissement

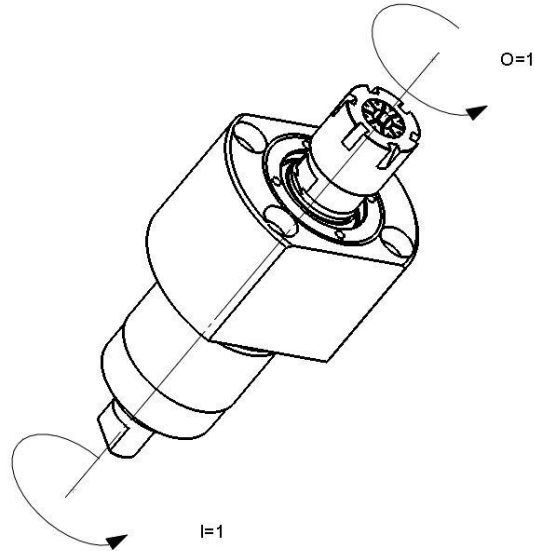
Infos:

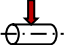
- Similaire à l'outil 3281-T051 de Tsugami

B07-GSC-110

Machine: TSUGAMI
Type: B0206-III
Location, N°: Gangtool, T01
Work on: Main spindle
Type of work: 
 n_{\max} : 8'000 [rpm]
 $i (n_i / n_o)$: 1 / 1
Attachement: ER16
Without coolant
Infos:

- Similar to Tsugami's tool 3281-T051

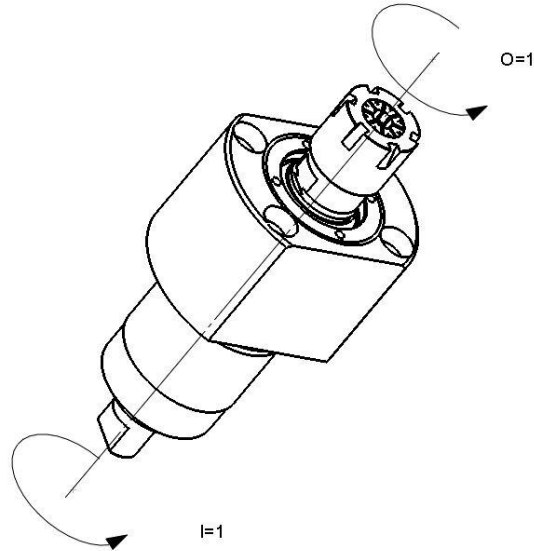
B07-GSC-110

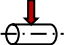
Maschine: TSUGAMI
Typ: B0206-III
Position, N°: Vertikalhalter, T01
Arbeit über: Hauptspindel
Arbeitstyp: 
 n_{max} : 8'000 [rpm]
 i (n_i / n_o): 1 / 1
Befestigung: ER16

Ohne Kühlmittel

Infos:

- Ahnlich wie Werkzeug von Tsugami 3281-T051

B07-GSC-110

Macchina: TSUGAMI
Tipo: B0206-III
Posizione, N°: Slitta lineare, T01
Lavoro al: Mandrino principale
Tipo di lavoro: 
 n_{\max} : 8'000 [rpm]
 $i (n_i / n_o)$: 1 / 1
Ataccamento: ER16

Senza refrigerante

Informazioni:

- Simile al portautensili Tsugami 3281-T051