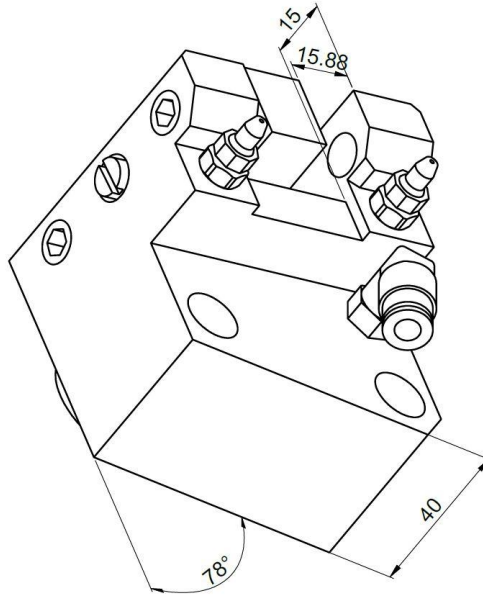


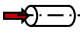
CTF116-HP

Machine: CITIZEN Cincom

Type: M32

Emplacement, N°: Tourelle

Travail sur: Broche principale / Broche de reprise

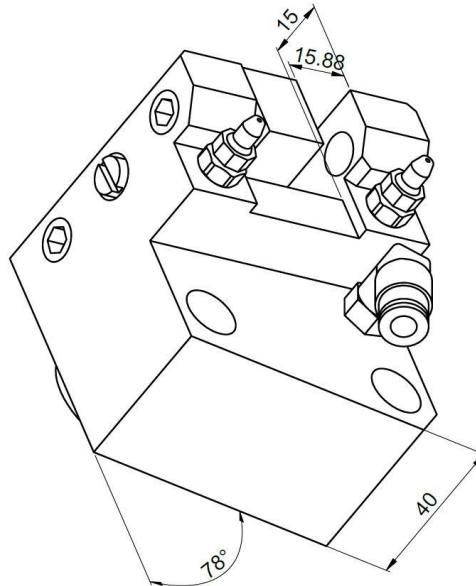
Type de travail: n_{max}: -i (n_i / n_o): -

Attachement: -

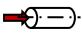
Refroidissement : Externe

Pression maximale: 150 [bar]

Infos:

CTF116-HP

Machine: CITIZEN Cincom
Type: M32
Location, N°: Turret
Work on: Main spindle / Back spindle

Type of work: 

n_{max} : -

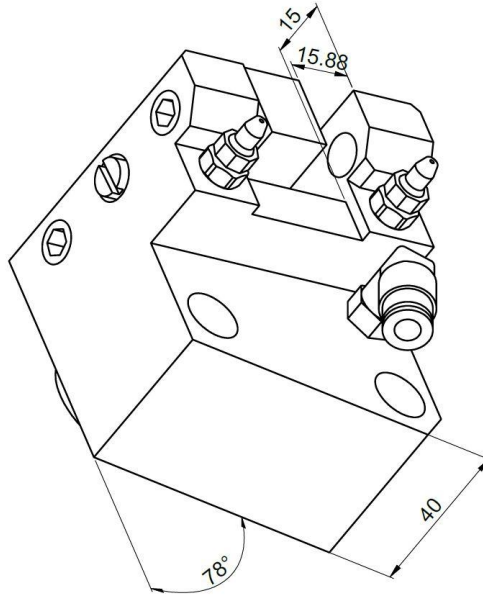
i (n_i / n_o): -

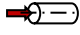
Attachement: -

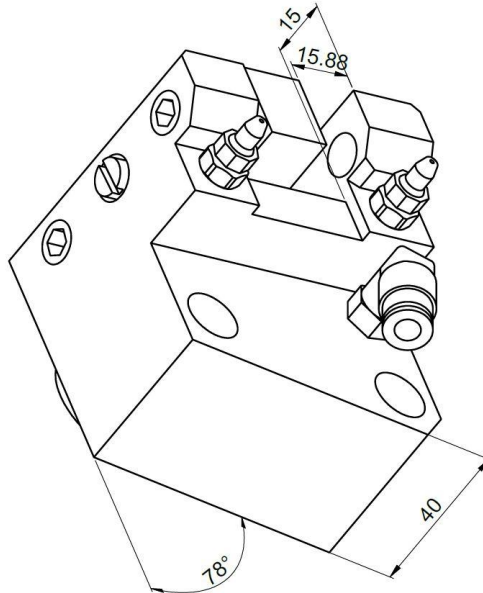
Coolant: External

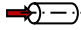
Maximum pressure: 150 [bar]

Infos:

CTF116-HP

Maschine: CITIZEN Cincom
Typ: M32
Position, N°: Revolver
Arbeit über: Hauptspindel / Abgreifspindel
Arbeitstyp: 
n_{max}: -
i (n_i / n_o): -
Befestigung: -
Kühlmittel: Ausser
Maximaler Druck: 150 [bar]
Infos:

CTF116-HP

Macchina: CITIZEN Cincom
Tipo: M32
Posizione, N°: Toretta
Lavoro al: Mandrino principale / Contromandrino
Tipo di lavoro: 
n_{max}: -
i (n_i / n_o): -
Ataccamento: -
Refrigerante: Esterno
Pressione massima: 150 [bar]
Informazioni: