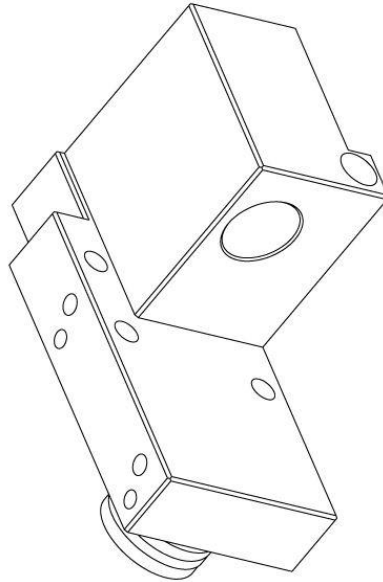
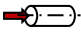
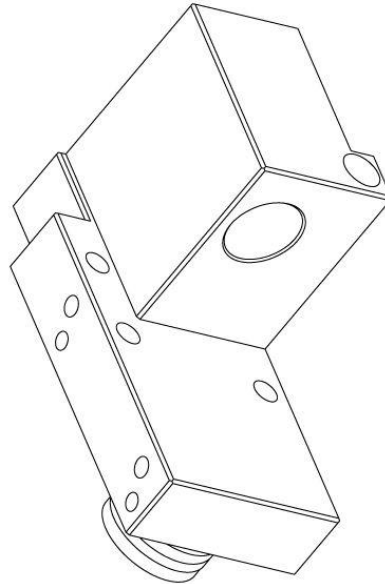
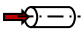
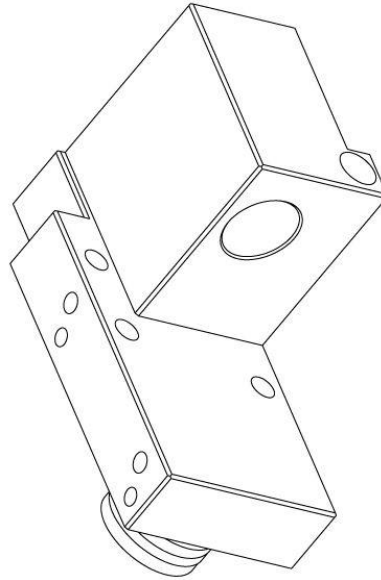


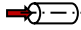
CDF101

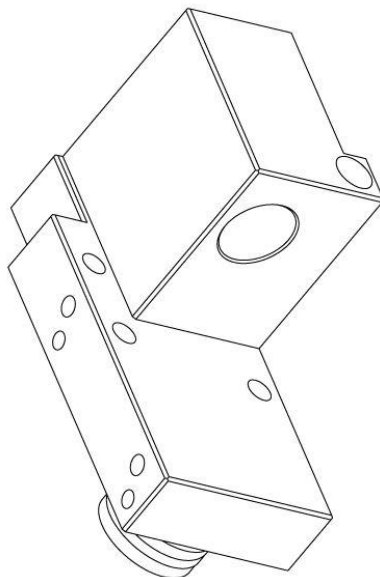
Machine: CITIZEN Cincom
Type: M32
Emplacement, N°: Tourrelle
Travail sur: Broche principale / Broche de reprise
Type de travail: 
n_{max}: -
i (n_i / n_o): -
Attachement: Ø 25.4
Refroidissement : Ø
Pression maximale: Ø [bar]
Infos:

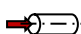
CDF101

Machine: CITIZEN Cincom
Type: M32
Location, N°: Turret Work on: Main spindle / Back spindle
Type of work: 
n_{max}: -
i (n_i / n_o): -
Attachement: Ø 25.4
Coolant: Ø
Maximum pressure: Ø [bar]
Infos:

CDF101

Maschine: CITIZEN Cincom
Typ: M32
Position, N°: Revolver
Arbeit über: Hauptspindel / Abgreifspindel
Arbeitstyp: 
n_{max}: -
i (n_i / n₀): -
Befestigung: Ø 25.4
Kühlmittel: Ø
Maximaler Druck: Ø [bar]
Infos:

CDF101

Macchina: CITIZEN Cincom
Tipo: M32
Posizione, N°: Toretta
Lavoro al: Mandrino principale / Contromandrino
Tipo di lavoro: 
n_{max}: -
i (n_i / n_o): -
Ataccamento: Ø 25.4
Refrigerante: Ø
Pressione massima: Ø [bar]
Informazioni: