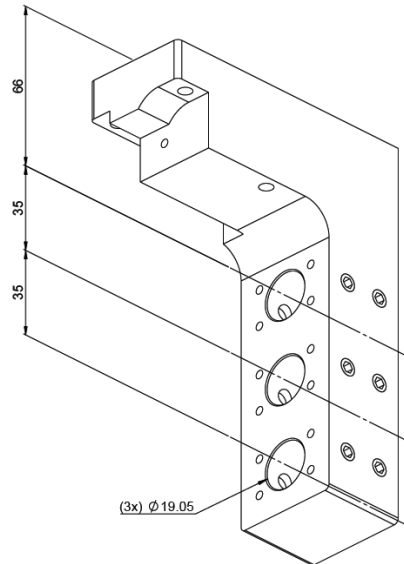


MDF107-MHF19

Machine: CITIZEN Cincom

Type: M416

Emplacement, N°: T31-T34

Travail sur: Broche principale / Broche de reprise

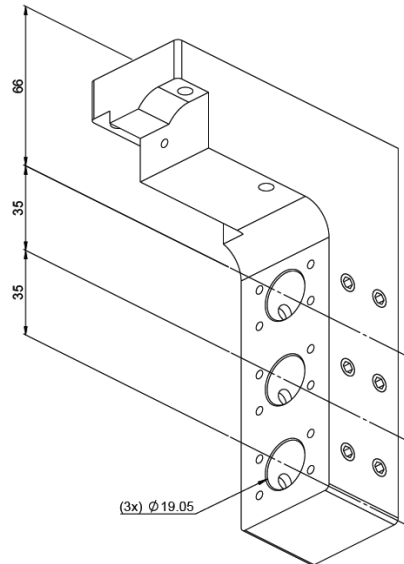
Type de travail:  n_{max} : - [rpm] $i (n_i / n_o)$: -

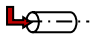
Attachement: 3x Ø19.05mm

Sans refroidissement

Infos:

Compatible pour broches haute fréquence Meyrat Ø19.05 (modèle MHF-19 ER8)

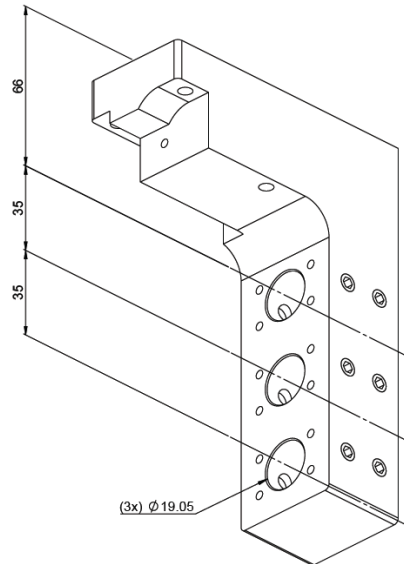
MDF107-MHF19

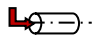
Machine: CITIZEN Cincom
Type: M416
Location, N°: T31-T34
Work on: Main spindle / Back spindle
Type of work: 
 n_{max} : - [rpm]
 $i (n_i / n_o)$: -
Attachement: 3x Ø19.05mm

Without coolant

Infos:

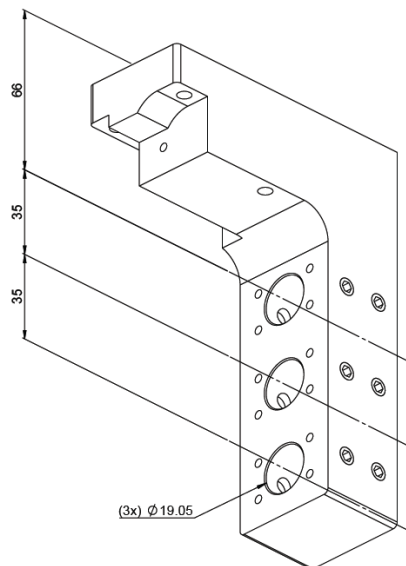
Available for high frequency spindle Meyrat Ø19.05 (model MHF-19 ER8)

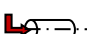
MDF107-MHF19

Maschine: CITIZEN Cincom
Typ: M416
Position, N°: T31-T34
Arbeit über: Hauptspindel / Abgreifspindel
Arbeitstyp: 
 n_{max} : - [rpm]
 $i (n_i / n_o)$: -
Befestigung: 3x Ø19.05mm
Ohne Kühlmittel

Infos:

Mit Hochfrequenz Spindel Meyrat Ø19.05 benutzbar (Modell MHF-19 ER8)

MDF107-MHF19

Macchina: CITIZEN Cincom
Tipo: M416
Posizione, N°: T31-T34
Lavoro al: Mandrino principale / Contromandrino
Tipo di lavoro: 
 n_{max} : - [rpm]
 $i (n_i / n_o)$: -
Ataccamento: 3x Ø19.05mm

Senza refrigerante

Informazioni:

Compatibile per mandrini alta frequenza Meyrat Ø19.05 (modello MHF-19 ER8)