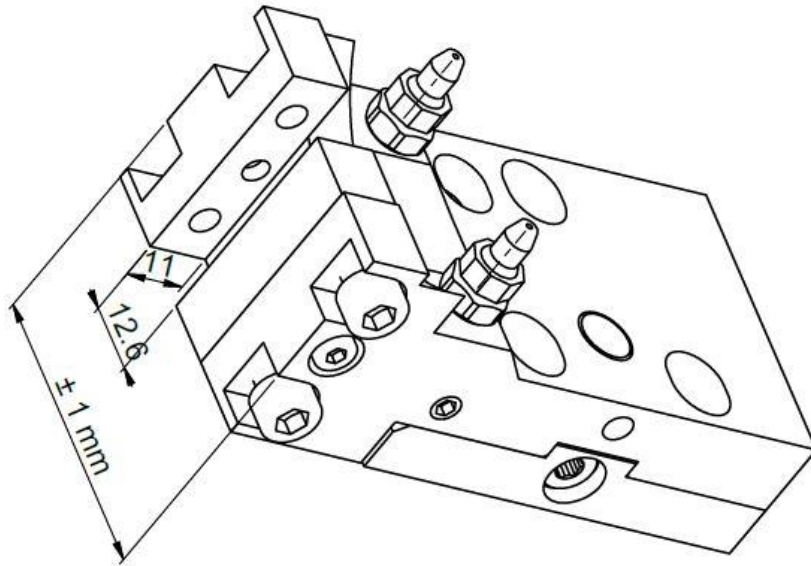
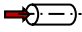
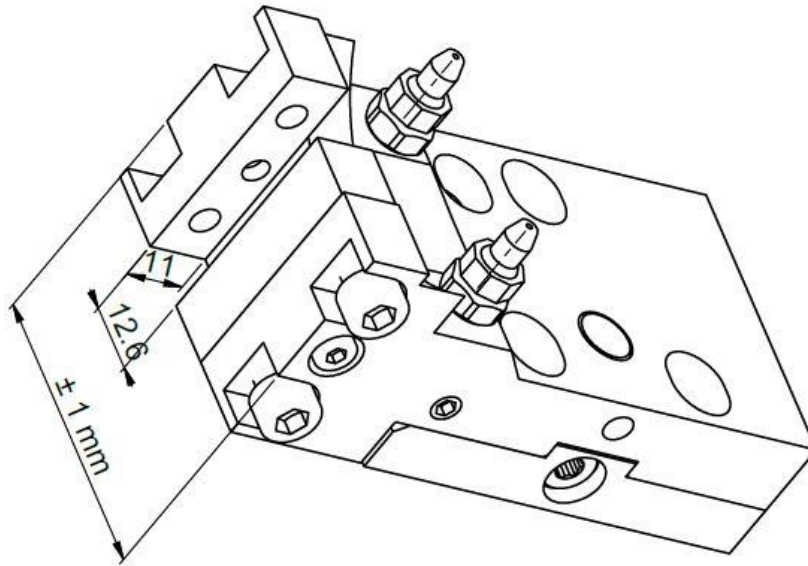
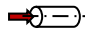
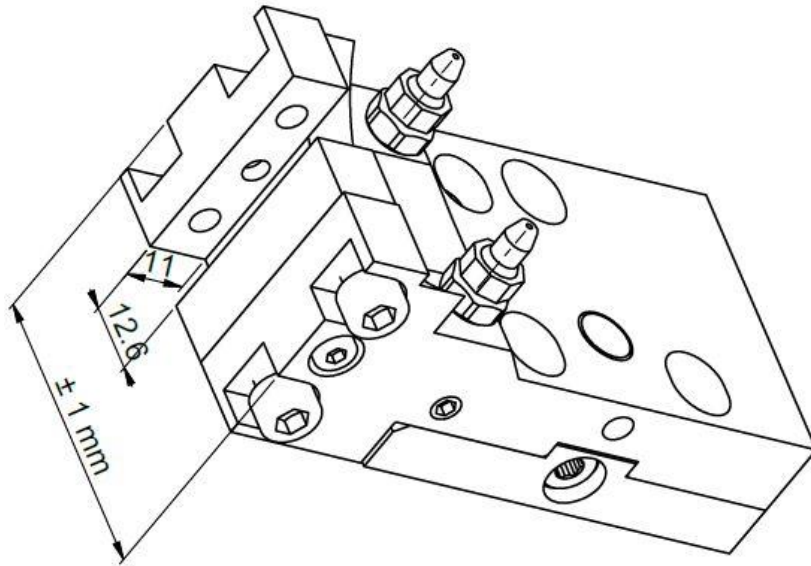


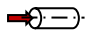
792-VTF110-R-HP

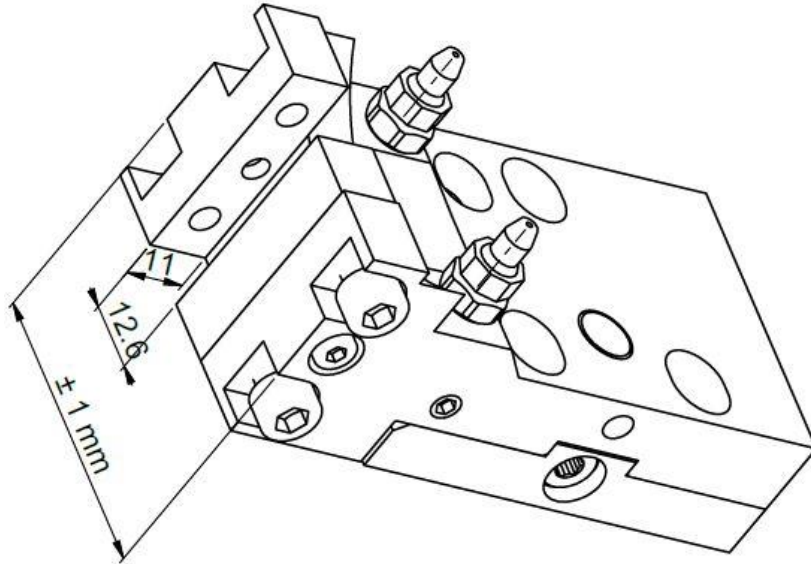
Machine: CITIZEN Cincom
Type: M12/M16
Emplacement, N°: Tourelle
Travail sur: Broche principale / Broche de reprise
Type de travail: 
n_{max}: - [rpm]
i (n_i / n_o): -
Attachement: Burin 12.6x11
Refroidissement : Externe
Pression maximale: 150 [bar]
Infos:

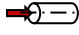
792-VTF110-R-HP

Machine: CITIZEN Cincom
Type: M12/M16
Location, N°: Turret
Work on: Main spindle / Back spindle
Type of work: 
n_{max}: - [rpm]
i (n_i / n_o): -
Attachement: Burin 12.6x11
Coolant : Internal
Maximum pressure: 150 [bar]
Infos:

792-VTF110-R-HP

Maschine: CITIZEN Cincom
Typ: M12/M16
Position, N°: Revolver
Arbeit über: Hauptspindel / Abgreifspindel
Arbeitstyp: 
n_{max}: - [rpm]
i (n_i / n_o): -
Befestigung: Burin 12.6x11
Kühlmittel: Inner
Maximaler Druck: 150 [bar]
Infos:

792-VTF110-R-HP

Macchina: CITIZEN Cincom
Tipo: M12/M16
Posizione, N°: Toretta
Lavoro al: Mandrino principale / Contromandrino
Tipo di lavoro: 
n_{max}: - [rpm]
i (n_i / n₀): -
Ataccamento: Burin 12.6x11
Refrigerante Interno
Pressione massima: 150 [bar]
Informazioni: